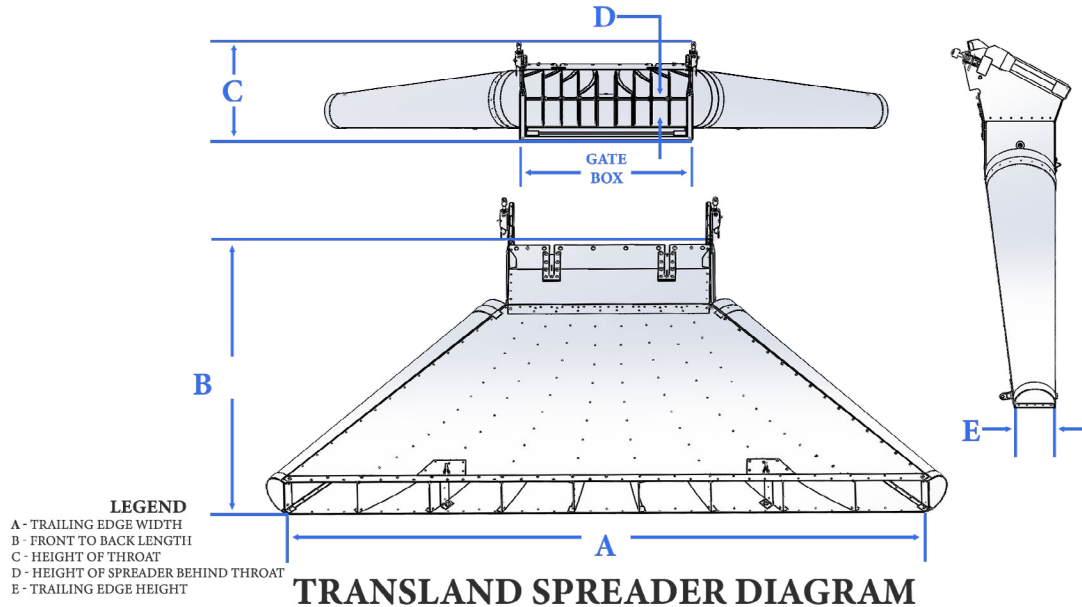




SPREADERS

Once it's determined that a Spreader is the preferred option, Transland offers a helpful chart to provide customers with a starting point for selecting the most suitable spreaders. In most cases, experienced pilots are aware of their aircraft's capabilities. Additionally, pilots typically expect variations in swath width based on factors such as the gate box size and the type of spreader, whether it's a 10 or 8-vane design with a deep throat. Transland's history of spreader manufacturing dates back to the early 1950s. Since 1965, stainless steel has become the predominant material for all our spreaders. As aircraft speeds have increased, the thickness of stainless steel sheeting for skins and vanes has also evolved from .020 to .032. Below are charts illustrating the dimensions of the spreaders offered by Transland.



Please reference the letters in the above images. All measurements are in inches.

8 Vane Spreaders

Gate Size	PN	Door Size	A	B	C	D	E	WT.	Comments
25*	22360	5	92.5	57.5	13	6	4	122	Only spreader for Brave; jointly designed by Transland & Piper
38	22358	5	92.5	46	16.75	9.25	6.75	144	Most widely used 8-vane spreader on Air Tractor (foam filled)
38*	22008	5	100	45	17.25	10.5	6.4	130	Deep throat spreader for high volume on Air Tractor
41	20250	5	100	45	15.5	8.75	6.5	125	Mostly used on Thrush and M18
41	22007	5	100	45	17.25	10.5	6.4	130	Deep throat spreader for high volume on Thrush and M18

10 Vane Spreaders

Gate Size	PN	Door Size	A	B	C	D	E	WT.	Comments
38	23538	5	157	54	15	8	6.5	200	Deep throat spreader for 5" gate on Air Tractor
38	23502	5	157	54	13.5	7	4.5	180	Most popular 10-vane spreader on Air Tractor
38	23537	10	157	54	19.5	8.5	6.5	200	10-Vane for 10" firegate on Air Tractor
38	23547	7.5	157	54	19.5	8.5	6.5	200	10-Vane for 7 1/2" gate
38	24502	5	157	54	13.5	7	4.5	180	Planes with a Garrett engine, counter-clockwise, on Air Tractor
41	23501	5	157	54	13.5	7	4.5	180	Original 10-Vane spreader designed for Thrush & M18
41	23506	5	157	54	15	8	6.5	180	10-Vane deep throat spreader on Thrush
41	23533	10	157	54	19.5	8.5	6.4	200	Use with 10" firegate on Thrush
41	23541	5	157	54	13.5	7	4.5	180	Use with 5" gate on a Garrett engine on Thrush
41	23543	7.5							Thrush
41	23633	10	157	54	19.5	8.5	6.4	200	Use with 10" firegate on Thrush, Garrett engine

*These are not stock items; please call for price and availability. Revision C.