

SEND TO:

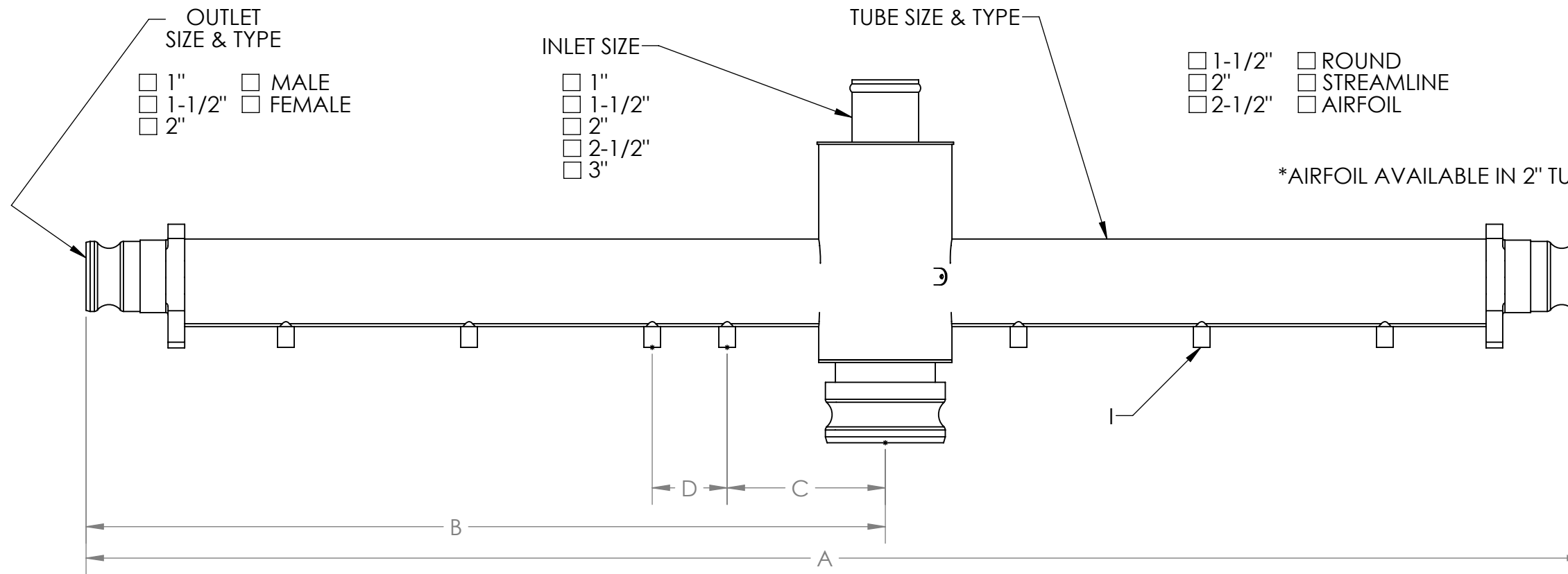
TRANSLAND SALES  
 FAX 940.687.1941  
 EMAIL SALES@TRANSLANDLLC.COM

TRANSLAND DEALER INFO:

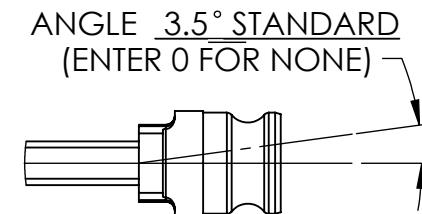
DEALER \_\_\_\_\_  
 DATE \_\_\_\_\_  
 CONTACT AT DEALER \_\_\_\_\_

CUSTOM ORDERED FOR:


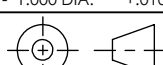
CUSTOMER NAME \_\_\_\_\_  
 ADDRESS \_\_\_\_\_  
 \_\_\_\_\_  
 PHONE \_\_\_\_\_  
 FAX \_\_\_\_\_  
 E-MAIL \_\_\_\_\_



A= OVERALL LENGTH  
 B= DISTANCE FROM CENTER OF INLET TO END OF INLET  
 C= DISTANCE FROM CENTER OF INLET TO CENTER OF 1ST NIPPLE  
 D= SPACING OF NIPPLES



**ENGINEERING APPROVED COPY  
 FOR MANUFACTURE**

NAME		DATE		UNLESS OTHERWISE SPECIFIED: DIMENSIONS ARE IN INCHES		 1206 HATTON ROAD, WICHITA FALLS, TX 76302	
DRAWN	RC	9/15/16		TOLERANCES:			
CHECKED	RR	9/16/16		FRACTIONS ±1/16		TITLE: CENTER BOOM ORDER FORM	
ENG APPR.				.XX ±.03			
REMOVE ALL BURRS AND SHARP EDGES				.XXX ±.010		SIZE <b>B</b> DWG. NO. <b>56602</b> REV <b>B</b>	
INTERPRET DRAWING PER ANSI Y14.5M-1982				ANGLE ± 1/2°			
SURFACE ROUGHNESS PER MIL-STD-10				HOLE DIA:		SCALE: NTS MODEL: SHEET 1 OF 1	
ALL MACHINED SURFACES NOT TO EXCEED 63 MICROINCHES PER MIL-STD-10 UNLESS NOTED				.0135 - .125 DIA. +.004 -.001			
SolidWorks				.1260 - .250 DIA. +.005 -.001			
				.2510 - .500 DIA. +.006 -.001			
				.5010 - .750 DIA. +.008 -.001			
				.7510 - 1.000 DIA. +.010 -.001			
				 THIRD ANGLE PROJECTION			