

SEND TO:

TRANSLAND SALES
 FAX 940.687.1941
 EMAIL SALES@TRANSLANDLLC.COM

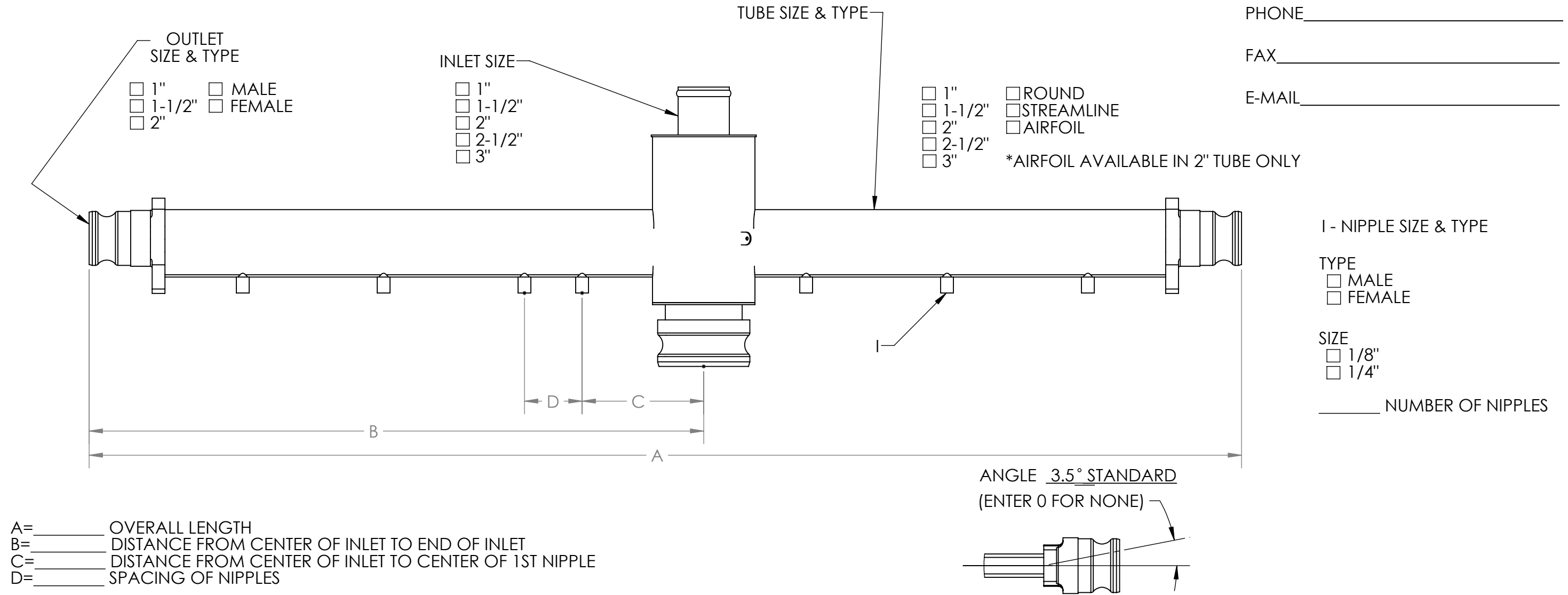
TRANSLAND DEALER INFO:

DEALER _____
 DATE _____
 CONTACT AT DEALER _____

CUSTOM ORDERED FOR:

CUSTOMER NAME _____
 ADDRESS _____

 PHONE _____
 FAX _____
 E-MAIL _____



**ENGINEERING APPROVED COPY
 FOR MANUFACTURE**

NAME		DATE		UNLESS OTHERWISE SPECIFIED: DIMENSIONS ARE IN INCHES		 1206 HATTON ROAD, WICHITA FALLS, TX 76302	
DRAWN	RC	9/15/16		TOLERANCES:			
CHECKED	RR	9/16/16		FRACTIONS ±1/16		TITLE: CENTER BOOM ORDER FORM	
ENG APPR.				.XX ±.03			
REMOVE ALL BURRS AND SHARP EDGES				.XXX ±.010		SIZE B DWG. NO. 56602 REV A	
INTERPRET DRAWING PER ANSI Y14.5M-1982				ANGLE ± 1/2°			
SURFACE ROUGHNESS PER MIL-STD-10				HOLE DIA:		SCALE: NTS	
ALL MACHINED SURFACES NOT TO EXCEED 63 MICROINCHES PER MIL-STD-10 UNLESS NOTED				.0135 - .125 DIA. +.004 -.001		MODEL:	
SolidWorks				.1260 - .250 DIA. +.005 -.001		SHEET 1 OF 1	
THIRD ANGLE PROJECTION				.2510 - .500 DIA. +.006 -.001			
				.5010 - .750 DIA. +.008 -.001			
				.7510 - 1.000 DIA. +.010 -.001			

NC	-	INITIAL RELEASE	RC	9/15/16		
REV.	E.O.	DESCRIPTION	BY	DATE	APPR'D	DATE