

SEND TO:

TRANSLAND SALES
 FAX 940.687.1941
 EMAIL SALES@TRANSLANDLLC.COM

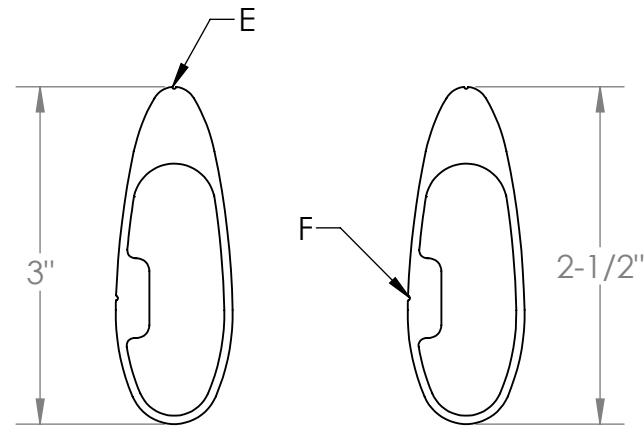
TRANSLAND DEALER INFO:

DEALER _____
 DATE _____
 CONTACT AT DEALER _____

CUSTOM ORDERED FOR:

CUSTOMER NAME _____
 ADDRESS _____

 PHONE _____
 FAX _____
 E-MAIL _____

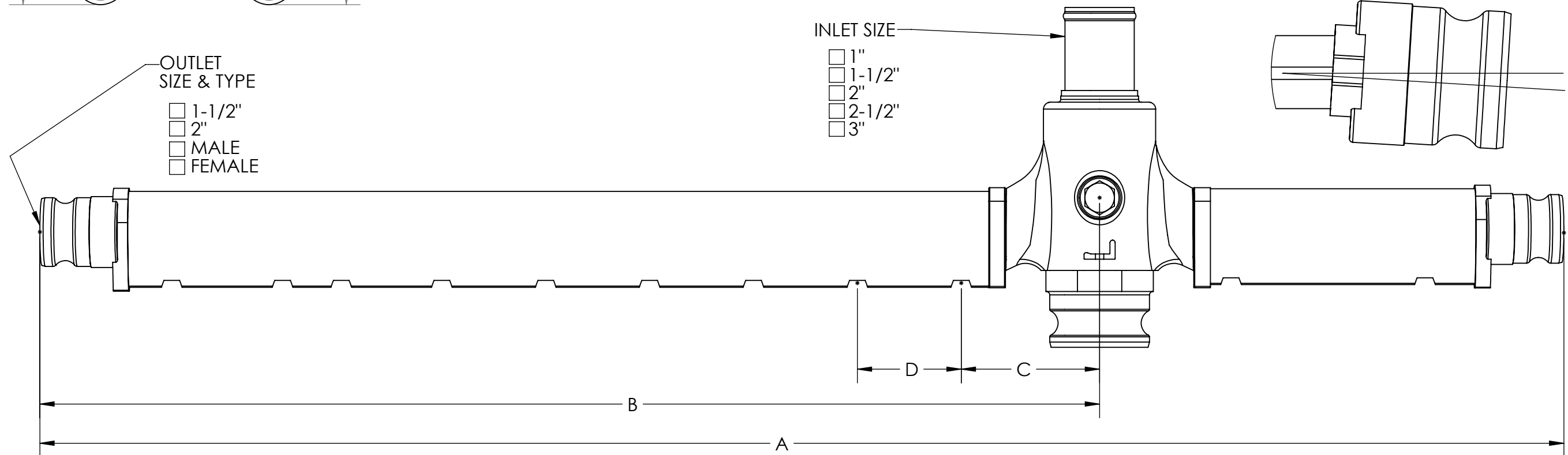
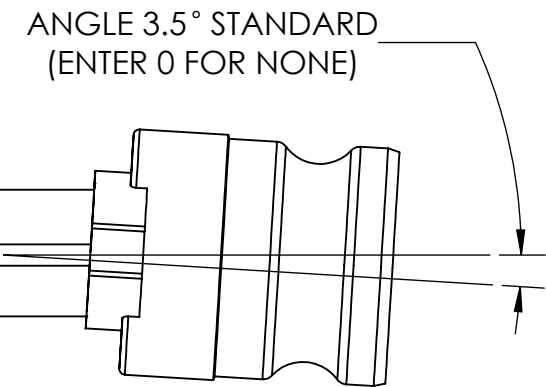


DRILL & TAP:
 1/8"
 1/4"
 LOCATION:
 E
 F

A= _____ OVERALL LENGTH
 B= _____ DISTANCE FROM CENTER OF INLET TO END OF INLET
 C= _____ DISTANCE FROM CENTER OF INLET TO CENTER OF 1ST NIPPLE
 D= _____ SPACING OF NIPPLES

OUTLET SIZE & TYPE
 1-1/2"
 2"
 MALE
 FEMALE

INLET SIZE
 1"
 1-1/2"
 2"
 2-1/2"
 3"



**ENGINEERING APPROVED COPY
 FOR MANUFACTURE**

| | NAME | DATE | UNLESS OTHERWISE SPECIFIED: DIMENSIONS ARE IN INCHES | | | |
|---|--------|----------|---|--------|--------|--|
| DRAWN | RC | 12/12/17 | TOLERANCES: | | | |
| CHECKED | RR | | FRACTIONS | ±1/16 | | |
| ENG APPR. | | | .XX | ±.03 | | |
| REMOVE ALL BURRS AND SHARP EDGES INTERPRET DRAWING PER ANSI Y14.5M-1982 SURFACE ROUGHNESS PER MIL-STD-10 ALL MACHINED SURFACES NOT TO EXCEED 63 MICROINCHES PER MIL-STD-10 UNLESS NOTED | | | .XXX | ±.010 | | |
| | | | ANGLE | ± 1/2° | | |
| | | | HOLE DIA: | | | |
| | | | .0135 - .125 DIA. | +0.04 | -0.01 | |
| | | | .1260 - .250 DIA. | +0.005 | -0.001 | |
| .2510 - .500 DIA. | +0.006 | -0.001 | | | | |
| .5010 - .750 DIA. | +0.008 | -0.001 | | | | |
| .7510 - 1.000 DIA. | +0.010 | -0.001 | | | | |
| SolidWorks | | | THIRD ANGLE PROJECTION | | | |

1206 HATTON ROAD, WICHITA FALLS, TX 76302

TITLE: **ALUM. CENTER BOOM ORDER FORM**

| | | |
|---------------|-----------------------|--------------|
| SIZE B | DWG. NO. 26601 | REV A |
| SCALE: NTS | | MODEL: |

SHEET 1 OF 1

| NC | - | INITIAL RELEASE | RC | 12/12/17 | | |
|------|------|-----------------|----|----------|--------|------|
| REV. | E.O. | DESCRIPTION | BY | DATE | APPR'D | DATE |
| | | | | | | |