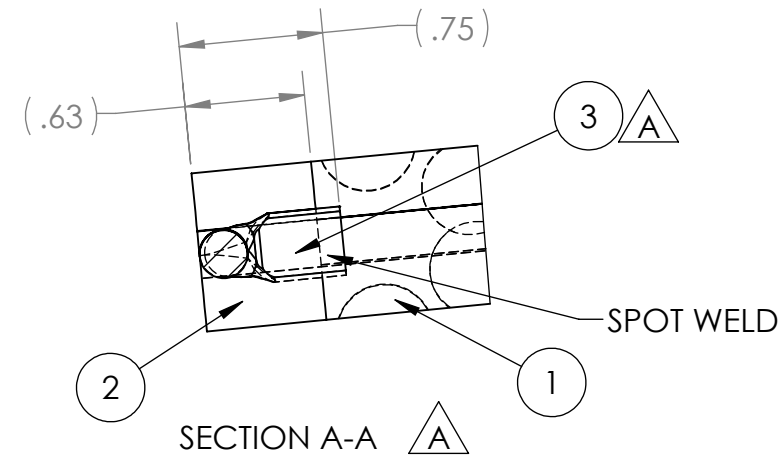
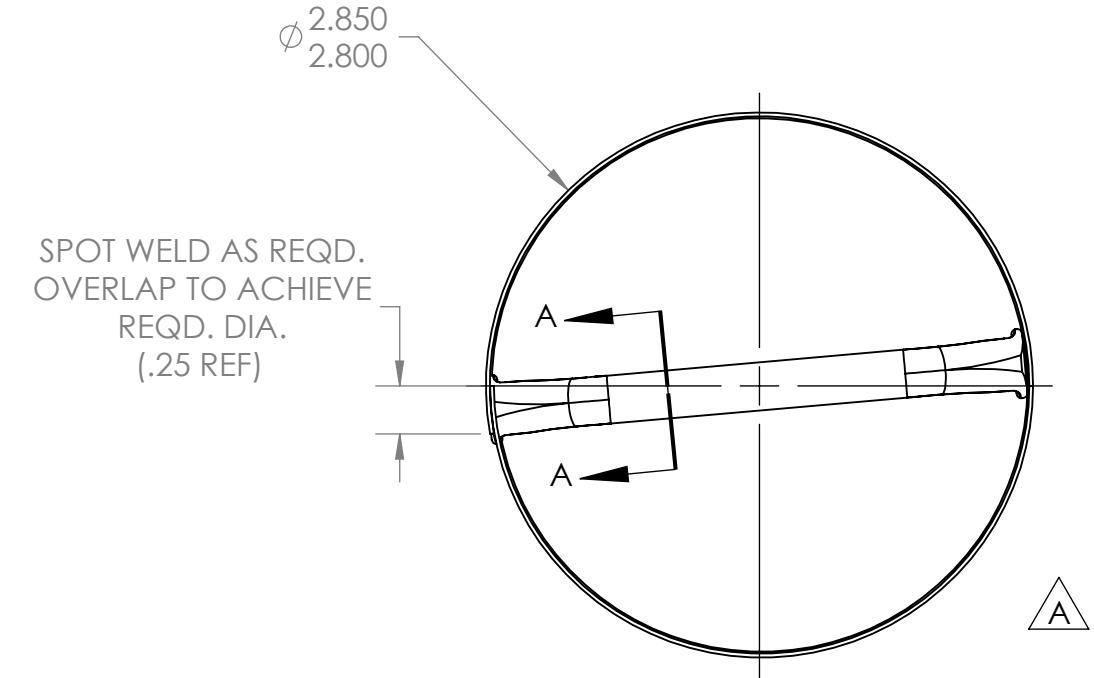
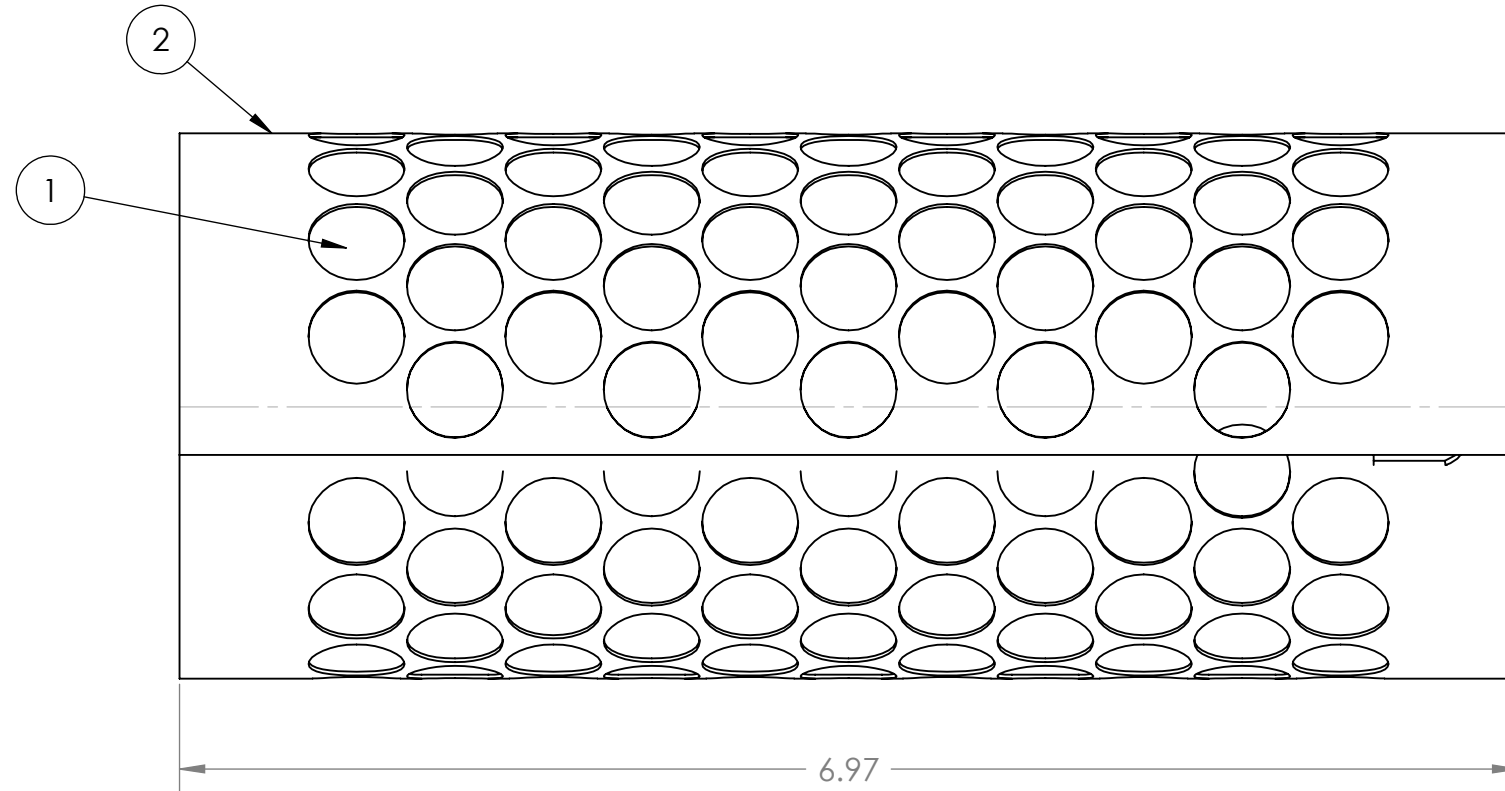


NOTES:

1. PART IS INTERCHANGEABLE WITH P/Ns 29530 & 29531.
2. SPOT WELD ITEMS 1 AND 2 TOGETHER IN FLAT PATTERN.
3. FORM TO DIMENSIONS REQUIRED AND SPOT WELD AS REQUIRED.

**ENGINEERING APPROVED COPY
FOR MANUFACTURE**

ITEM NO.	PART NUMBER	DESCRIPTION	QTY.
1	13995	SCREEN - 40 MESH	1
2	14836	SCREEN	1
3	19530	SCREEN HANDLE	1



REV.	E.O.#	DESCRIPTION	DATE	BY
A	3739	ADDED ITEM 3 P/N 19530 QTY 1 & SECTION "A-A"	12/19/2012	PK
NC	1558	INITIAL RELEASED	7/12/2011	JMV

REVISIONS

NEXT ASSEMBLY	NAME	DATE
	JMV	7/12/11
	RR	1/02/13
	ENG APPR.	

FINAL ASSEMBLY	MATERIAL
59103, 59104, 59105, 59106, 59192, 59194.	SEE BOM
FINISH	

UNLESS OTHERWISE SPECIFIED:
DIMENSIONS ARE IN INCHES
TOLERANCES:
.XX ±.03
.XXX ±.010
ANGLE ± 1/2°

REMOVE ALL BURRS AND SHARP EDGES
INTERPRET DRAWING PER ANSI Y14.5M-1982

ALL MACHINED SURFACES NOT TO EXCEED 63
MICROINCHES PER MIL-STD-10 UNLESS NOTED

THIRD ANGLE PROJECTION
SolidWorks

TITLE: ASSEMBLY - SCREEN 40 MESH	
SIZE B	DWG. NO. 29529
SCALE: 1:1	WEIGHT: ??
REV A	
SHEET 1 OF 1	