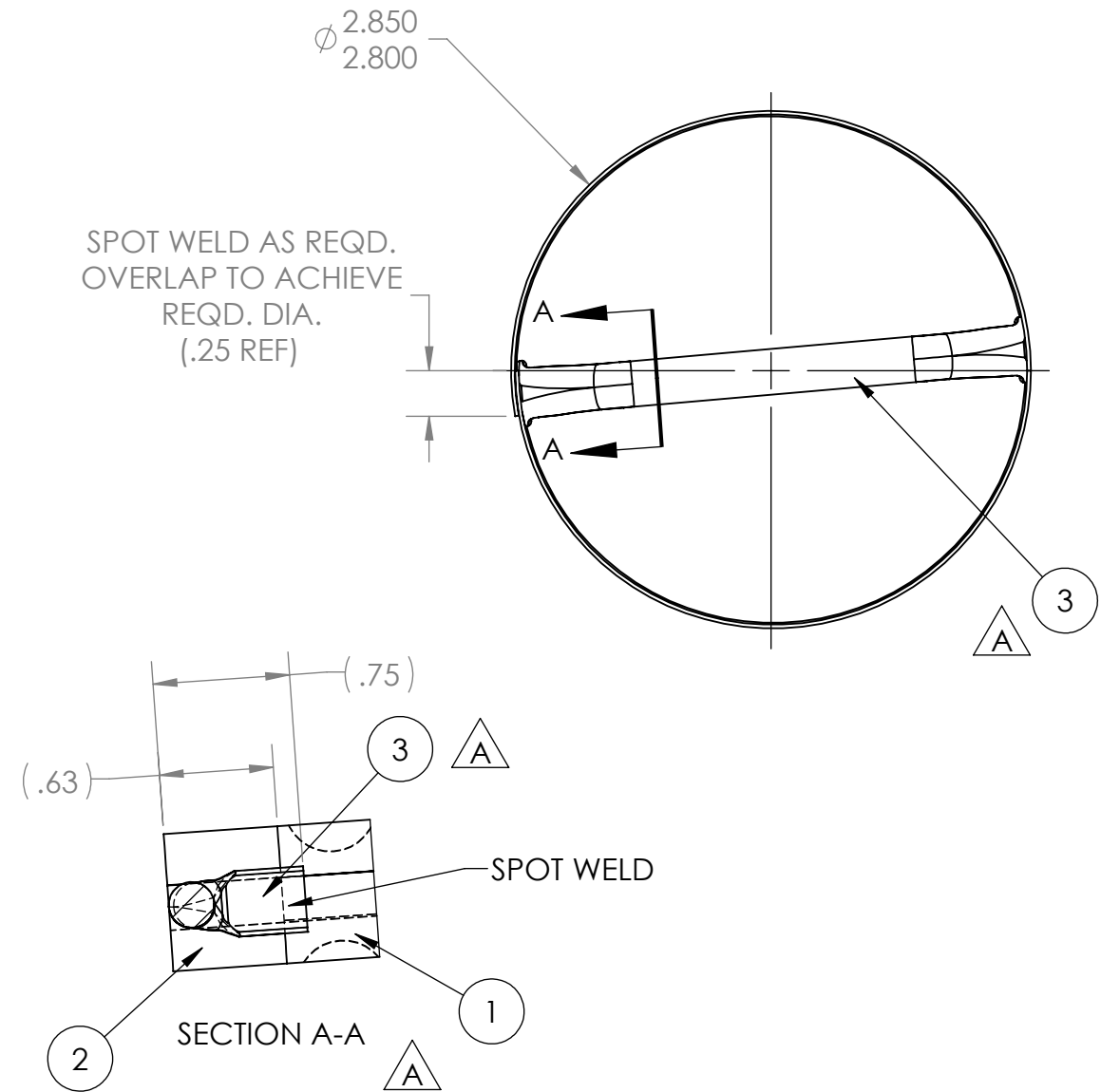
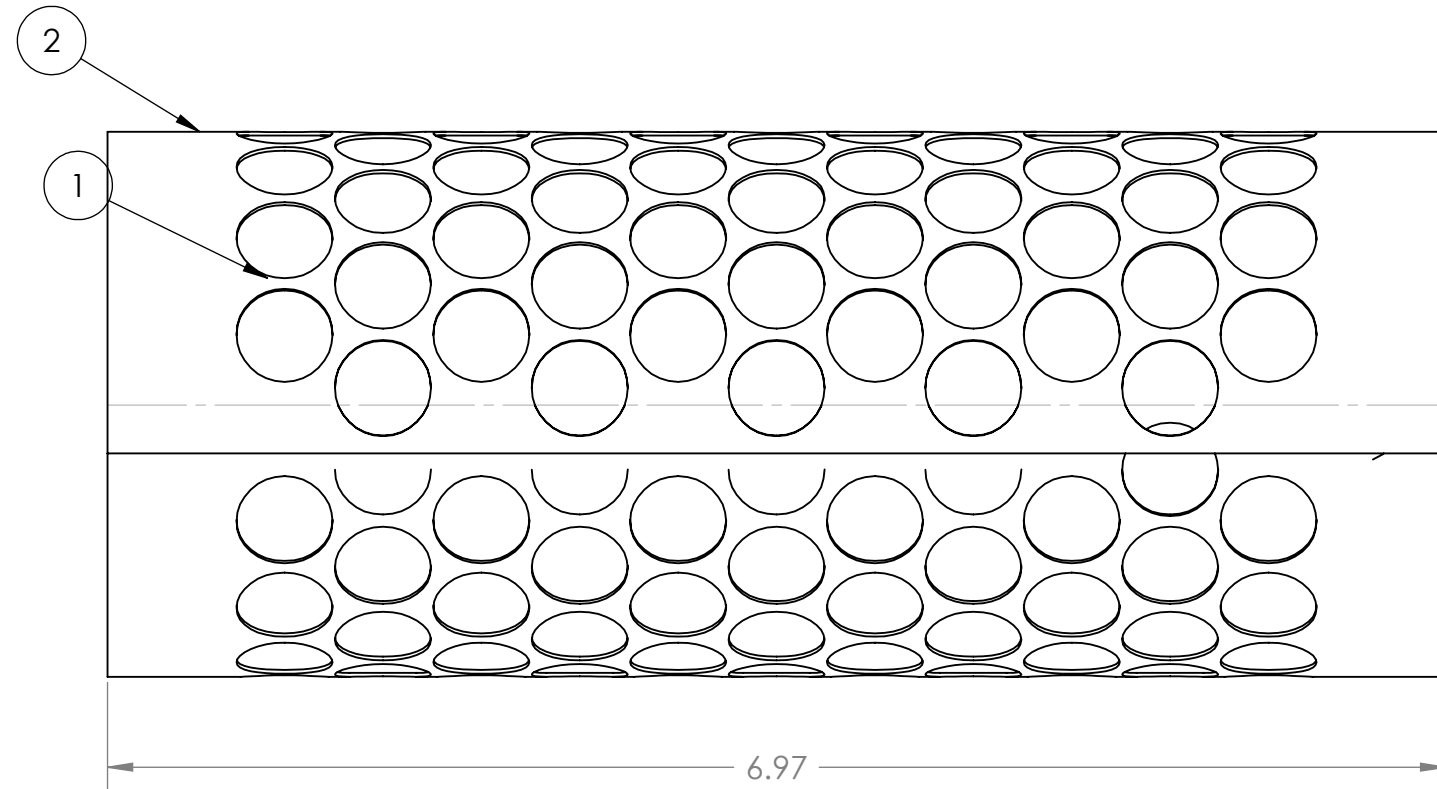


NOTES:

1. PART IS INTERCHANGEABLE WITH P/Ns 29527, 29529, 29530 & 29531.
2. SPOT WELD ITEMS 1 AND 2 TOGETHER IN FLAT PATTERN.
3. FORM TO DIMENSIONS REQUIRED AND SPOT WELD AS REQUIRED.

ITEM NO.	PART NUMBER	DESCRIPTION	QTY.
1	13994	SCREEN - 50 MESH	1
2	14836	SCREEN	1
3	19530	SCREEN HANDLE	1



**ENGINEERING APPROVED COPY
FOR MANUFACTURE**

REV.	DESCRIPTION	DATE	BY
A	3737	ADDED ITEM 3 P/N 19530 QTY 1 & SECTION "A-A"	12/19/2012 PK
REVISIONS			

NEXT ASSEMBLY		NAME	DATE	UNLESS OTHERWISE SPECIFIED: DIMENSIONS ARE IN INCHES TOLERANCES: .XX ±.03 .XXX ±.010 ANGLE ± 1/2° REMOVE ALL BURRS AND SHARP EDGES INTERPRET DRAWING PER ANSI Y14.5M-1982 ALL MACHINED SURFACES NOT TO EXCEED 63 MICROINCHES PER MIL-STD-10 UNLESS NOTED	
DRAWN		JMV	7/14/11		
CHECKED		RR	1/02/13		
ENG APPR.					TITLE: ASSEMBLY - SCREEN 50 MESH
FINAL ASSEMBLY		MATERIAL			SIZE B DWG. NO. 29528
59103, 59104, 59105, 59106, 59192, 59194.		SEE BOM			REV A
FINISH					SCALE: 1:1 WEIGHT: ?? SHEET 1 OF 1
				 THIRD ANGLE PROJECTION SolidWorks	