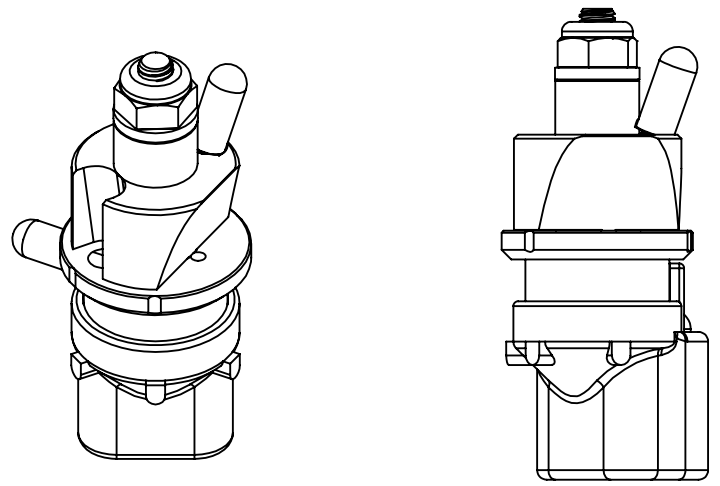
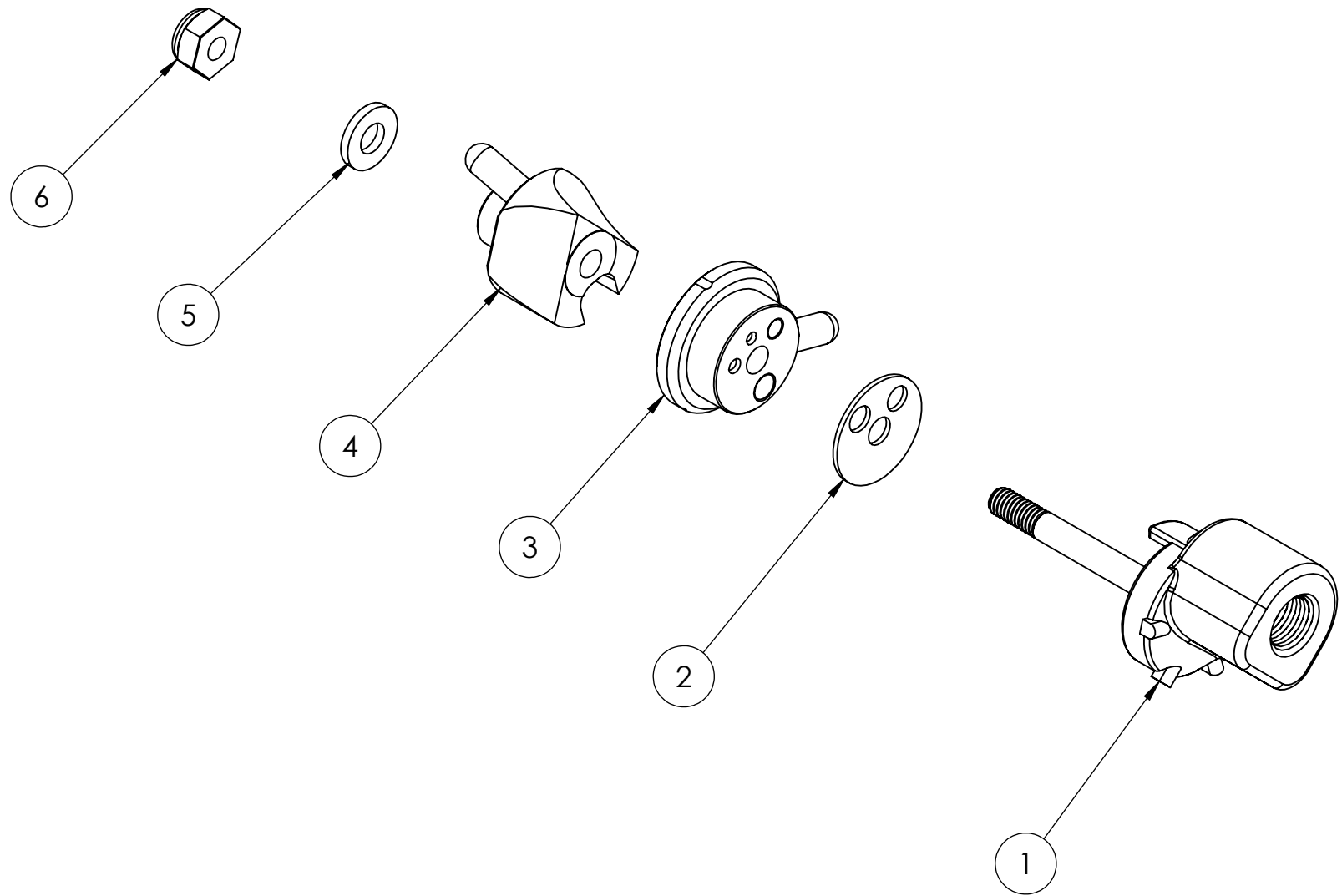


ITEM NO.	PART NUMBER	DESCRIPTION	QTY.
1	CPA203-B	POLY AERIAL BODY	1
2	CPA230	AERIAL TEFLON SEAL	1
3	CPA217E	S/S STRAIGHT STREAM SELECTOR	1
4	CPA228E	S/S STRAIGHT STRM DEFLECTOR	1
5	CP388	S/S WASHER	1
6	CP387	S/S LOCKING NUT	1



PROPRIETARY AND CONFIDENTIAL THE INFORMATION CONTAINED IN THIS DRAWING IS THE SOLE PROPERTY OF CP PRODUCTS. ANY REPRODUCTION IN PART OR AS A WHOLE WITHOUT THE WRITTEN PERMISSION OF CP PRODUCTS IS PROHIBITED.	NAME	DATE	UNLESS OTHERWISE SPECIFIED: DIMENSIONS ARE IN INCHES TOLERANCES: FRACTIONS ±1/16 .XX ±.010 .XXX ±.005 ANGLE ± 1/2° HOLE DIA: .0135 - .125 DIA. +.004 -.001 .1260 - .250 DIA. +.005 -.001 .2510 - .500 DIA. +.006 -.001 .5010 - .750 DIA. +.008 -.001 .7510 - 1.000 DIA. +.010 -.001				
	DRAWN	CLK				10/12/15	
	CHECKED	RR		10/15/15	TITLE: STRAIGHT STREAM NOZZLE		
	ENG APPR.	CLK					
MATERIAL	REMOVE ALL BURRS AND SHARP EDGES INTERPRET DRAWING PER ANSI Y14.5M-1982 SURFACE ROUGHNESS PER MIL-STD-10		 THIRD ANGLE PROJECTION	SIZE	DWG. NO.	CP-09-3E	REV
FINISH	ALL MACHINED SURFACES NOT TO EXCEED 63 MICROINCHES PER MIL-STD-10 UNLESS NOTED SolidWorks			B			NC
				SCALE: 1:2	WEIGHT:	SHEET 1 OF 1	