

ENGINEERING APPROVED COPY
FOR MANUFACTURE

DWG NO: 58384Q REV: H

VALVE CLOSED

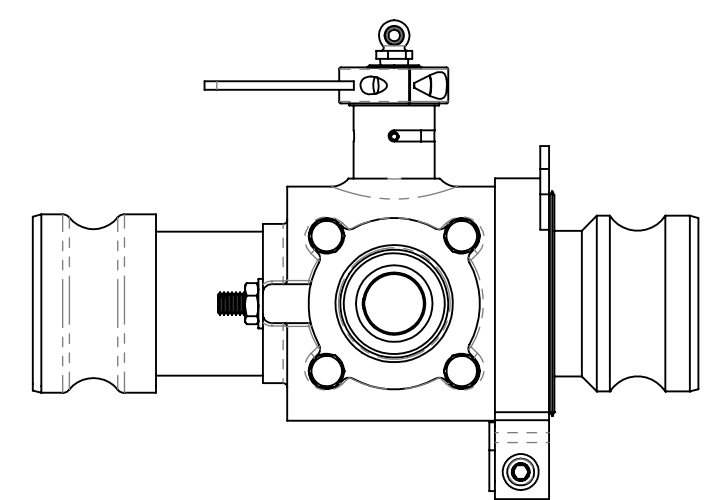
- NOTES (UNLESS OTHERWISE SPECIFIED)**
- ITEM #20 PN-51973 (WRENCH) IS NOT SHOWN BUT INCLUDED WITH VALVE ASSEMBLY
 - FOR SEAL KIT SEE 53390
 - WITH VALVE CLOSED, PRESSURISE WITH WATER OVER 60psi AND ENSURE LESS THAN 6 DROPS PER MIN FROM ALL LEAK POINTS. PART MUST BE IDENTIFIED PER DWG. NO. 60321.
 - COAT SURFACE OF ITEM 8 WHICH COMES INTO CONTACT WITH ITEM 3 WITH "EP 2" MULTI PURPOSE GREASE OR MOBILE MOBILITH SCH SYNTHETIC BEARING GREASE.
 - APPLY PERMATEX ANT-SIEZE LUBRICANT 80078 OR LOCTITE442-8029 TO THREADED PARTS, UNLESS NOTED.

ITEM NO.	PART NO.	NO. REQD	DESCRIPTION	SIZE	SPEC.	NO. REQD	NEXT ASSEMBLY	FINAL ASSEMBLY
25	AN960C416	2	FLAT WASHER (81230)					
24	NAS1351C4-20	1	SOCKET HD CAP SCREW S.S. (81014)					
23	AN365C-428A	1	LOCK NUT (80559)					
22	15695	1	PLUG CAP - SST VALVE					
21	28384	1	WELD ASSY-CLAMP 2" SST VALVE					
20	51973	1	WELD ASSY - WRENCH (NOT SHOWN)					
19	MS39086-147	1	COILED PIN (86310)					
18	85694	1	STAT-O-SEAL					
17	AN316C-5R	1	HEX JAM NUT (80536)					
16	AS3209-133	2	O-RING VITON - VENTURI 2" SST VALVE (81672)					
15	AN6227-37	1	O RING 3" O.D. (VITON) (81623)					
14	AN6227-11	1	O RING (VITON) (81603)					
13	AN935C-416	4	SPLIT L'K WASHER (81195)					
12	AN4C-4A	4	BOLT HX HEAD (80102)					
11	60049	1	WASHER - CHAFING (BLACK FIBER)					
10	MS15003-6/1613B	1	GREASE FITTING 1/8 NPT 90-deg (86180)					
9	60046	1	SEAL, BY PASS					
8	60045	2	SEAL MAIN					
7	56907	1	WELD ASSY-VENTURI 2" SS SPRAY VALVE					
6	57903	1	BODY 2" SST SPRAY VALVE - WITH QD					
5	56400	1	CAP-MACHINED, 2" SST SPRAY VALVE					
4	48118	1	SHAFT SS - SPRAY VALVE					
3	52465	1	BALL-MACHINED 2" SST SPAY VALVE					
2	40119	1	SCREW - ADJUST					
1	24398	1	WELD ASSY - HANDLE - SST VALVE					

DRAWN: D6 CHECKED: RR ENG APPR: CLK DATE: 9/29/05 DATE: 6/24/16 DATE: 6/28/16	UNLESS OTHERWISE SPECIFIED: DIMENSIONS ARE IN INCHES TOLERANCES: FRACTIONS ±1/16 DECIMALS ±.03 ANGLES ±.010 HOLE DIA: .015 - .125 DIA. +.004 -.001 .125 - .250 DIA. +.005 -.001 .250 - .500 DIA. +.006 -.001 .500 - .750 DIA. +.008 -.001 .750 - 1.000 DIA. +.010 -.001	 1206 HATTON ROAD, WICHITA FALLS, TX 76702 TITLE: ASSEMBLY - 2" SST SPRAY VALVE WITH (2) Q.D.'S BOTH ENDS SIZE: D DWG. NO.: 58384Q SCALE: NTS MODEL: SHEET 1 OF 1
--	---	--

REV.	E.O.	DESCRIPTION	BY	DATE	APPR'D	DATE
H	8940	NEW TITLE BLOCK	RC	6/24/2016	CLK	6/28/2016
G	5504	ADDED DIMS. (5") & (9 1/4")	PK	5/29/2014	JMV	5/30/2014
F	4937	REVISED NOTES	PK	10/30/2013	JMV	11/2/2013
E	4494	ITEM #6 PN-57903 WAS 56903	PK	7/24/2013	JMV	7/26/2013
D	4336	REDRAWN IN SOLIDWORKS, ITEM 10 PN-86180 WAS 86177, ITEM 26 PN-81230 WAS 81260 & QTY 2 WAS 1	PK	6/4/2012	JMV	6/6/2012

REVISIONS



AFFIX IDENTIFICATION
IN THIS LOCATION
PER NOTE 4

VALVE CLOSED

