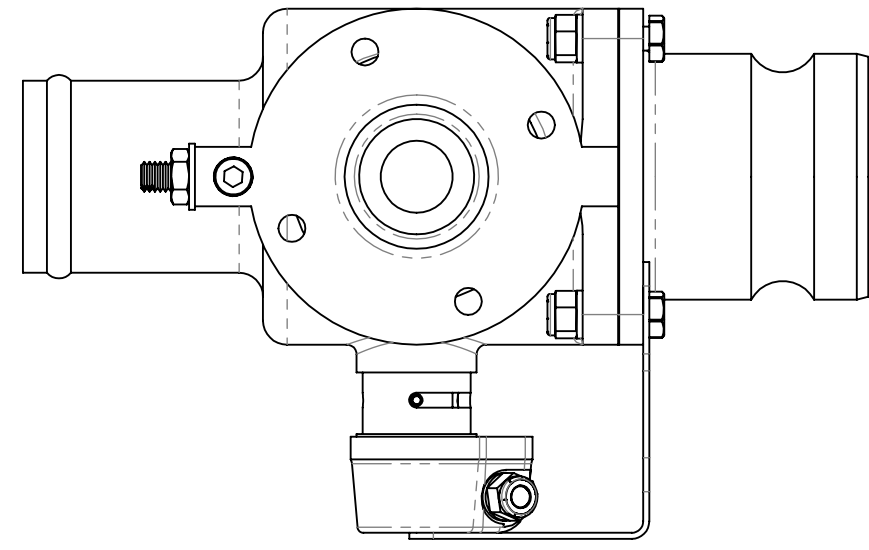
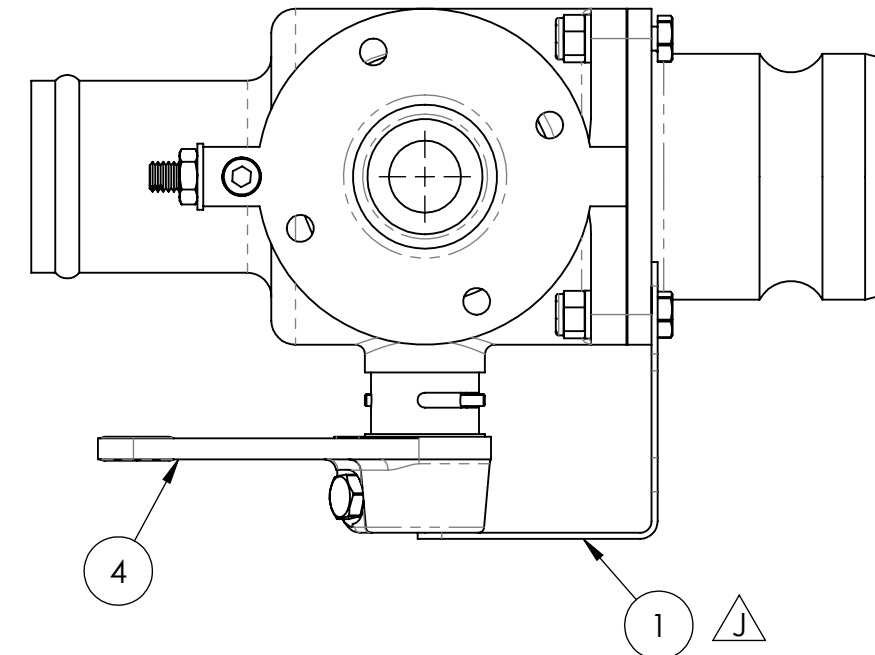


NOTES (UNLESS OTHERWISE SPECIFIED)

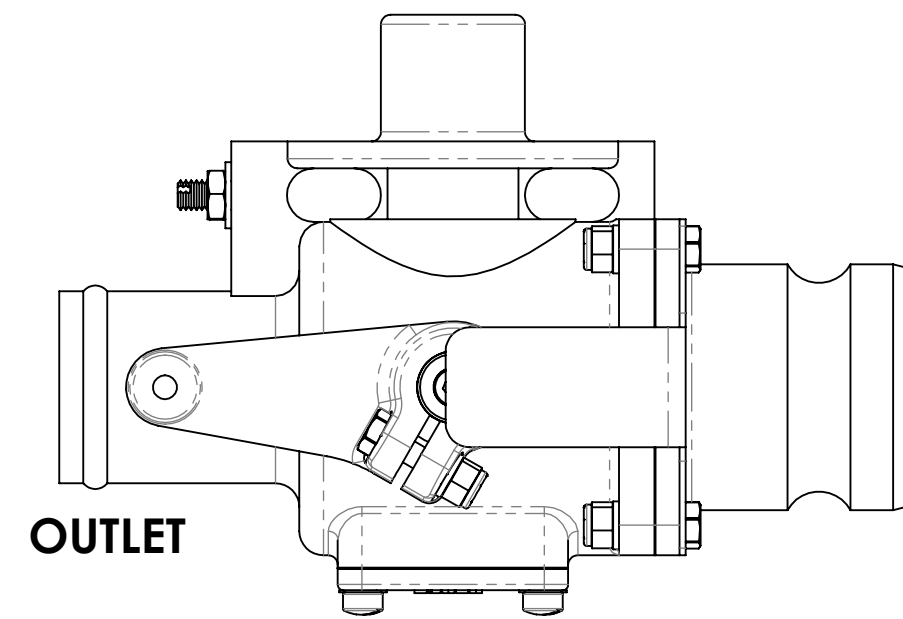
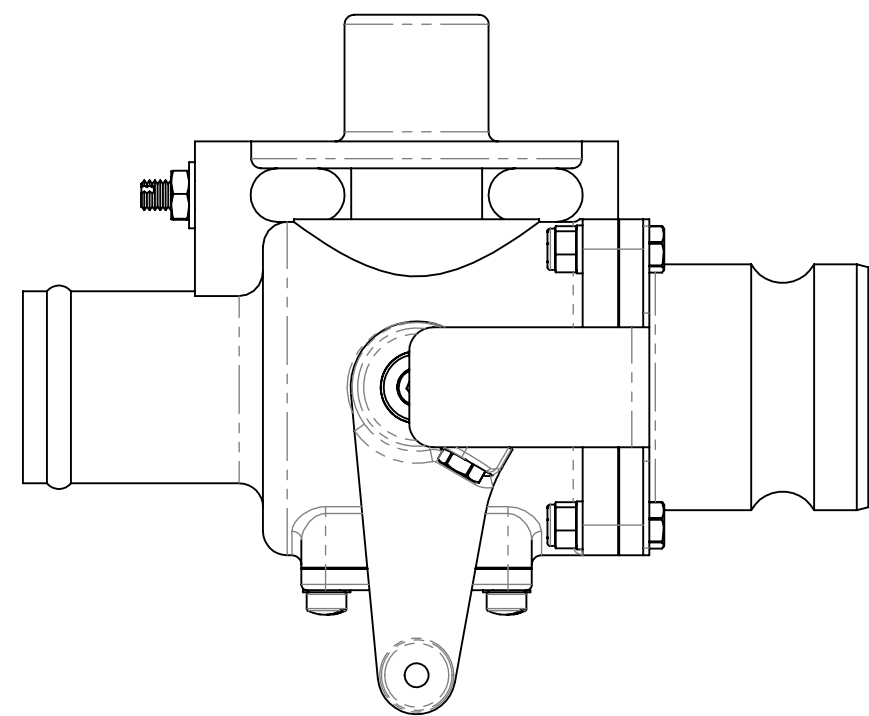
1. ITEM 17, PLUG MUST BE FLUSH WITH VALVE BODY, (GRIND FLUSH IF NEEDED).
2. FOR SEAL KIT, SEE DWG. 54001.
3. WITH VALVE CLOSED, PRESSURISE WITH WATER OVER 60psi AND ENSURE LESS THAN 6 DROPS PER MIN FROM ALL LEAK POINTS.
4. PART MUST BE IDENTIFIED PER DWG. NO. 60321.
5. COAT SURFACE OF ITEM 8 & 9 WHICH COMES INTO CONTACT WITH ITEM 5 WITH "EP 2" MULTI PURPOSE GREASE OR MOBILE MOBILITH SCH SYNTHETIC BEARING GREASE.
6. APPLY PERMATEX ANT-SIEZE LUBRICANT 80078 OR LOCTITE442-8029 TO THREADED PARTS UNLESS NOTED.
7. APPLY PTFE TAPE OR EQUIV.
8. ITEMS 13 & 14 MAY BE REPLACED WITH AN4C-(A/R)A, LENGTH AS REQ'D.



VALVE CLOSED

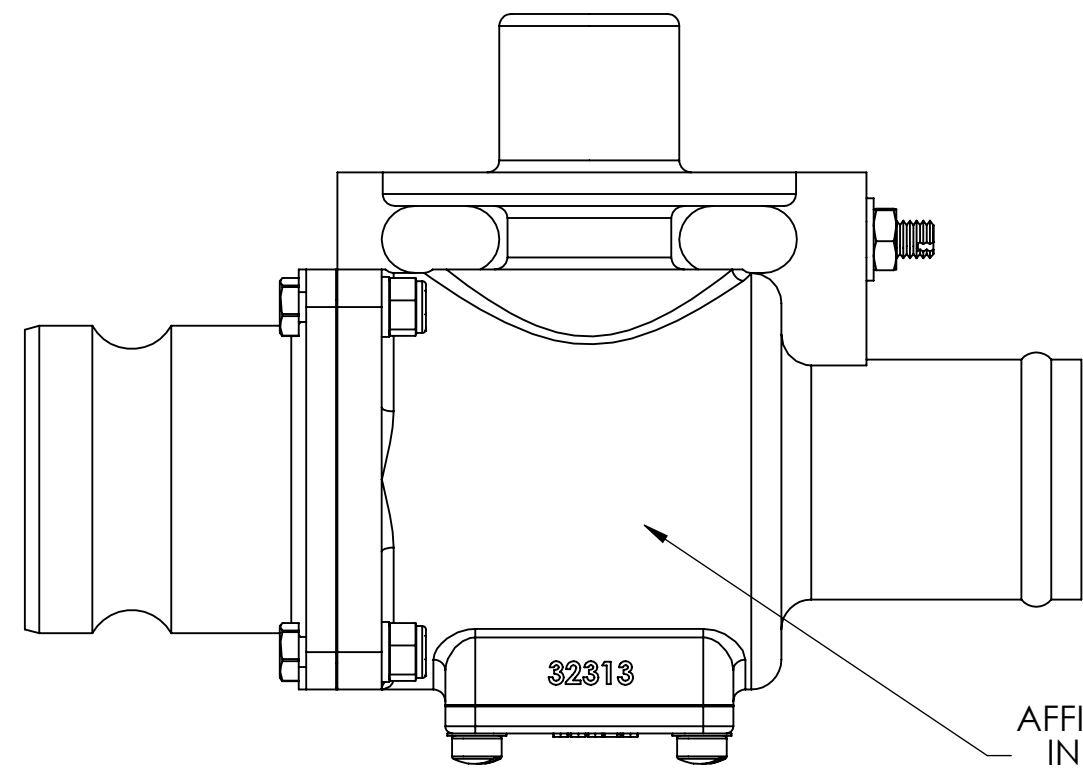


VALVE OPEN

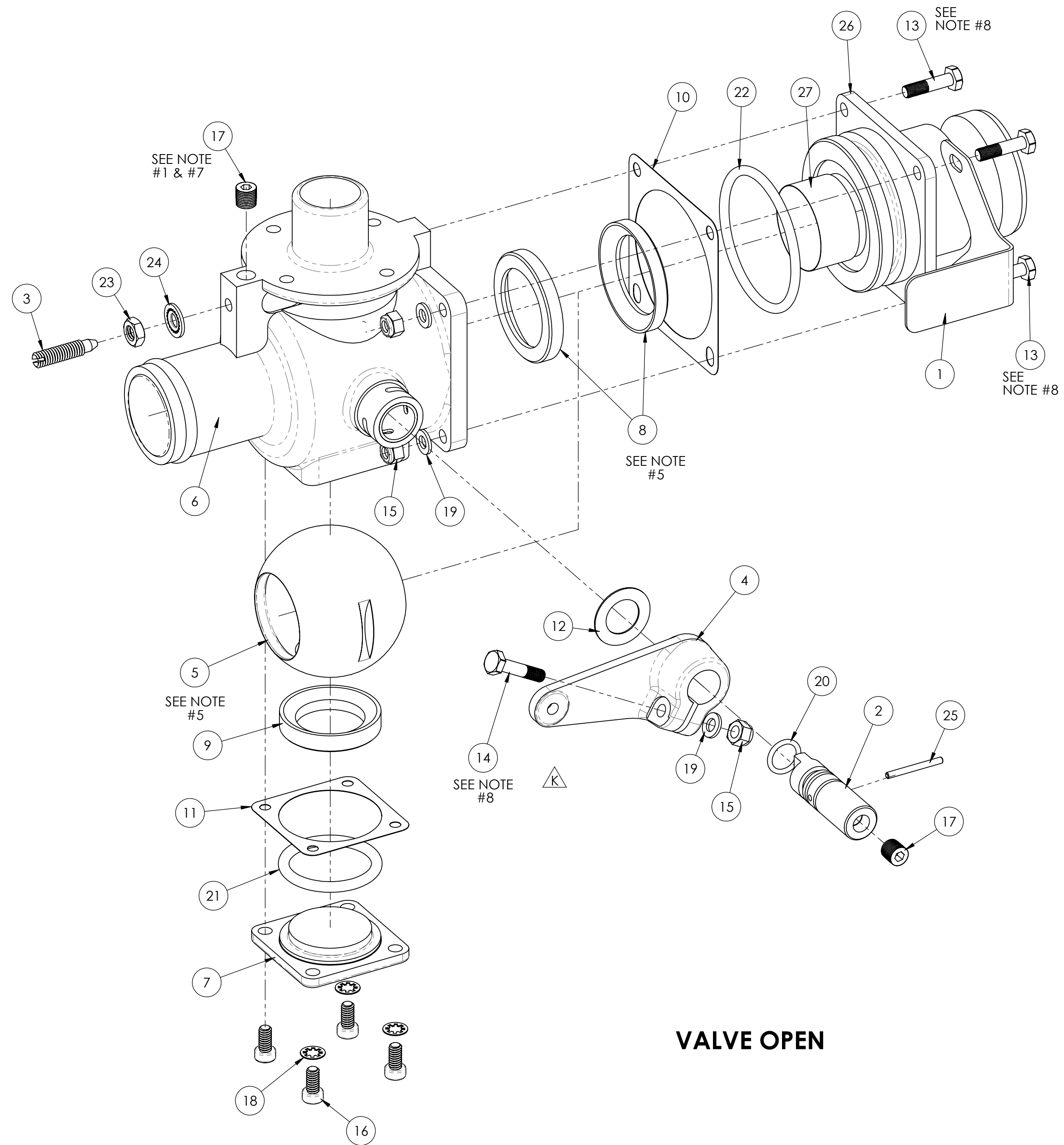


OUTLET

INLET



AFFIX IDENTIFICATION IN THIS LOCATION PER NOTE 4



VALVE OPEN

ITEM NO.	PART NUMBER	DESCRIPTION	Open/QTY.
1	12477	SAFETY PLATE	1
2	40118	SHAFT	1
3	40119	SCREW - ADJUST	1
4	40124	ARM-MACHINED, VALVE	1
5	42465	BALL	1
6	42313	VALVE BODY	1
7	42342	RETAINER	1
8	60045	SEAL MAIN	2
9	60046	SEAL, BY PASS	1
10	60047	SHIM - REAR QTY. AS REQUIRED	1
11	60048	SHIM - LOWER, AS REQUIRED	1
12	60049	WASHER - CHAFING (BLACK FIBER)	1
13	80112	WASHER - CHAFING (BLACK FIBER)	1
13	80112	BOLT HX HEAD SS	4
14	80114	BOLT HX HEAD SS	1
15	80559	LOCK NUT SS	5
16	80814	SCREW, PAN HD	4
17	81194	PLUG 1/8 NPT (BRASS)	2
18	81203	WASHER, INTERNAL STAR SS	4
19	81230	FLAT WASHER SST	5
20	81603	O RING (VITON)	1
21	81614	O RING (VITON)	1
22	81623	O RING 3" O.D. (VITON)	1
23	80536	HEX JAM NUT	1
24	85694	STAT-O-SEAL	1
25	86310	COILED PIN	1
26	42492	CAP - MACHINED 2" Q.D. W/ O-RING	1
27	10615	SCREEN-SPRAY VALVE	1

ENGINEERING APPROVED COPY FOR MANUFACTURE

REV.	E.O.#	DESCRIPTION	DATE	BY
L	4367	ITEM 22 PN-81623 QTY 1 WAS 2. UPDATED NEXT ASSY & B.O.M. DESCRIPTIONS, REVISED NOTES. ADDED VIEW FOR AFFIX ID LOCATION.	6/19/2013	PK
K	2542	E.O. 02542; ADDED NOTE 6 ITEM 14 P/N 80114 MAY BE REPLACED WITH 80116	2/9/2012	PK
J	2338	E.O. 02338; REDRAWN IN SOLIDWORKS, ADDED EXPLODED VIEW, DEL. P/N 85300 QTY 1, MOVE ITEM 1 P/N 12477 TO OUTSIDE UNDER HEAD OF BOLTS	1/11/2012	PK
REV.	E.O.#	DESCRIPTION	DATE	BY
REVISIONS				

NAME	DATE
DRAWN MARSELOS	1-19-95
CHECKED RR	7-29-13
ENG APPR.	
MATERIAL	
FINISH	

UNLESS OTHERWISE SPECIFIED:
 DIMENSIONS ARE IN INCHES
 TOLERANCES
 XX ±.03
 XXX ±.010
 ANGLE ± 1/2°
 REMOVE ALL BURRS AND SHARP EDGES
 INTERPRET DRAWING PER ANSI Y14.5M-1982
 ALL MACHINED SURFACES NOT TO EXCEED 63 MICRONS PER MIL STD-10 UNLESS NOTED
 THIRD ANGLE PROJECTION
SolidWorks

TRANSLAND

TITLE: **ASSY 2" SPRAY VALVE (THRUSH)**

SIZE **D** DWG. NO. **20882** REV **L**

SCALE: 5:8 WEIGHT: SHEET 1 OF 1