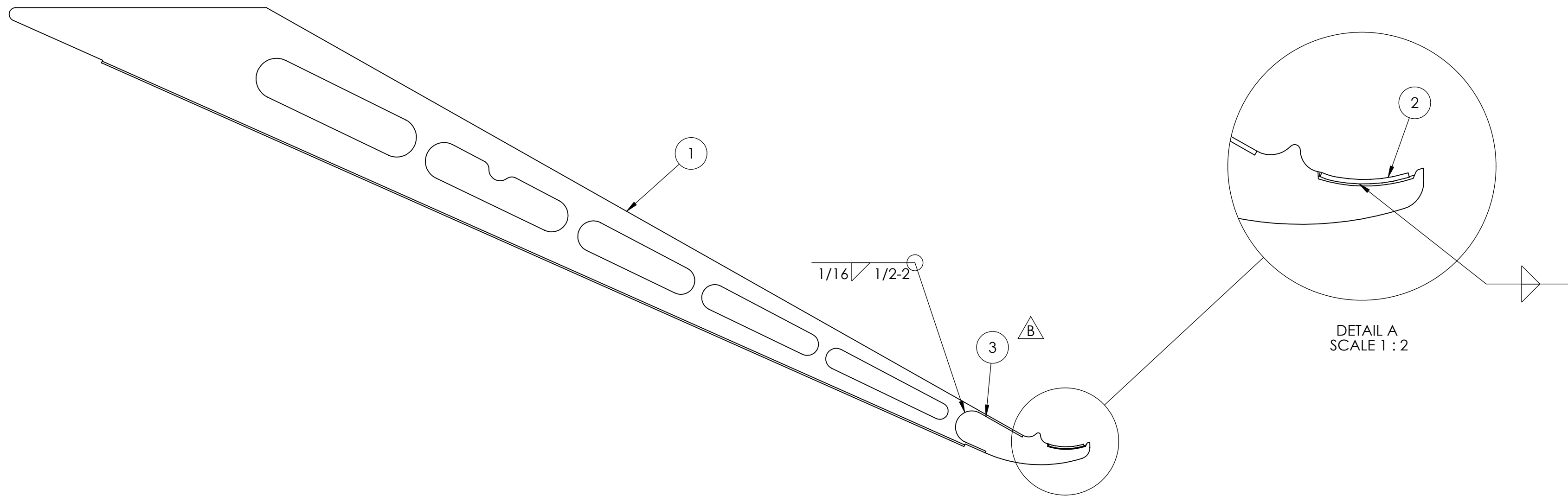


ITEM NO.	PART NO.	DESCRIPTION	QTY	
1	10506	BOOM HANGER AT 802	1	
A	2	10514	BOOM MOUNTING PAD	1
B	3	10515	STIFFENER	1



DWG NO: **50506** REV: **B**

DETAIL A
SCALE 1:2

**ENGINEERING APPROVED COPY
FOR MANUFACTURE**

REV.	DESCRIPTION	DATE	BY
B	E.O. 05473; ADDED ITEM 3	5/13/2014	LDT
A	E.O. 04043 ; P/N 10514 WAS 10507	3/5/2013	JMV
NC	INITIAL RELEASE EO # 01874	9/6/2011	LDT
REVISIONS			

NEXT ASSEMBLY	NAME	DATE	UNLESS OTHERWISE SPECIFIED: DIMENSIONS ARE IN INCHES TOLERANCES: FRACTIONS ±1/16 .XX ±.03 .XXX ±.010 ANGLE ± 1/2°	
DRAWN	LDT	9/6/11		
CHECKED	RR	5/13/14		
MATERIAL	ENG APPR.		HOLE DIA: .0135 - .125 DIA. +.004 -.001 .1260 - .250 DIA. +.005 -.001 .2510 - .500 DIA. +.006 -.001 .5010 - .750 DIA. +.008 -.001 .7510 - 1.000 DIA. +.010 -.001	TITLE: SS BOOM HANGER WELDMENT AT 802
FINISH	REMOVE ALL BURRS AND SHARP EDGES INTERPRET DRAWING PER ANSI Y14.5M-1982 SURFACE ROUGHNESS PER MIL-STD-10 ALL MACHINED SURFACES NOT TO EXCEED 63 MICROINCHES PER MIL-STD-10 UNLESS NOTED			SIZE C DWG. NO. 50506 REV B
SolidWorks			THIRD ANGLE PROJECTION	SCALE: 1:5 WEIGHT: SHEET 1 OF 1