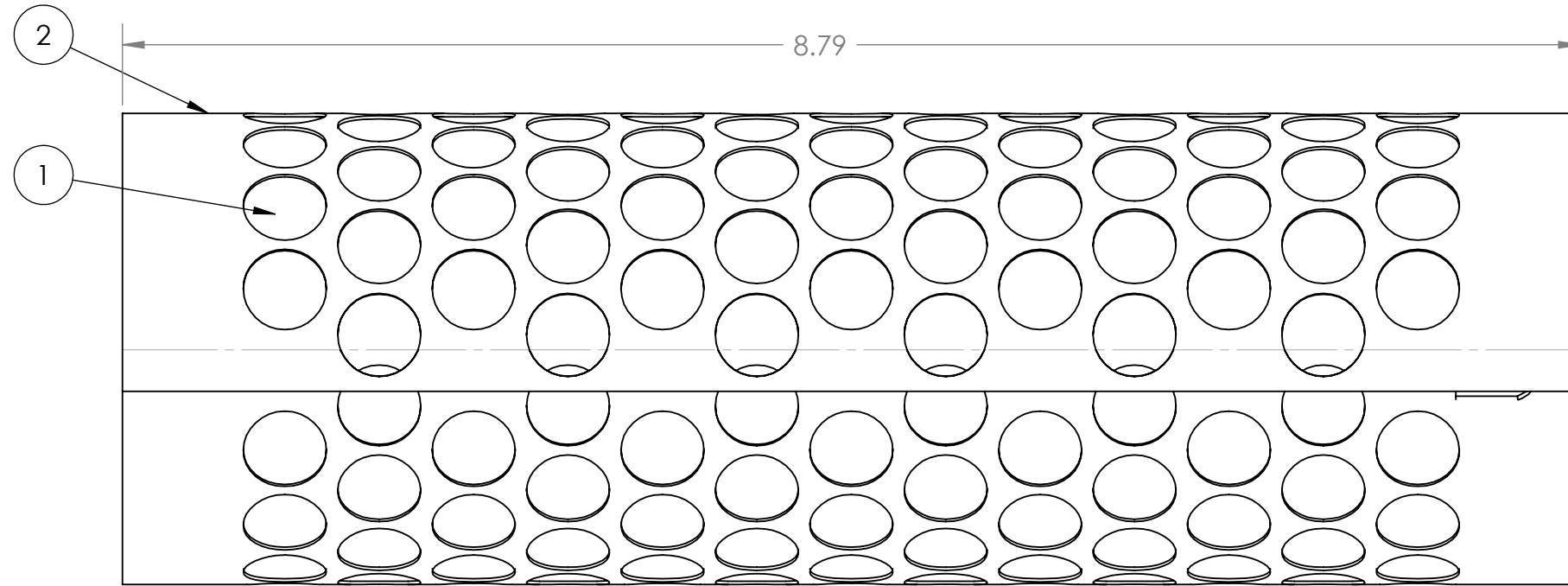


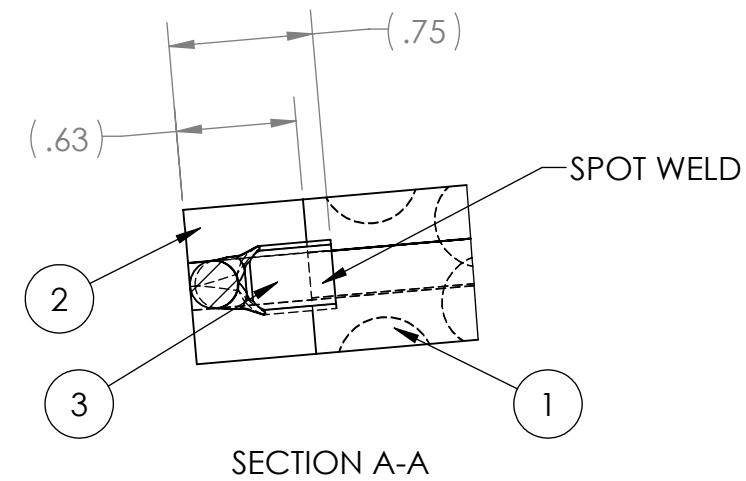
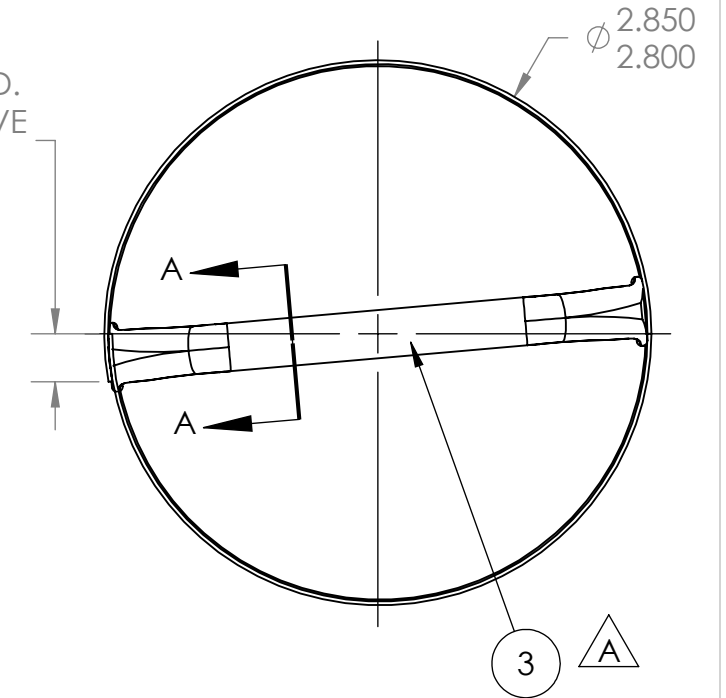
NOTES:

1. PART IS INTERCHANGEABLE WITH P/Ns 29539 & 29540.
2. SPOT WELD ITEMS 1 AND 2 TOGETHER IN FLAT PATTERN.
3. FORM TO DIMENSIONS REQUIRED AND SPOT WELD AS REQUIRED.

ITEM NO.	PART NUMBER	DESCRIPTION	QTY.
1	14001	SCREEN - 20 MESH	1
2	14837	SCREEN	1
3	19530	SCREEN HANDLE	1




SPOT WELD AS REQD.  
OVERLAP TO ACHIEVE  
REQD. DIA.  
(.25 REF)



**ENGINEERING APPROVED COPY  
FOR MANUFACTURE**

REV.	E.O.#	DESCRIPTION	DATE	BY
B	4841	ADDED NEXT ASSEMBLY	10/8/2013	PK
A	3760	ADDED ITEM 3 P/N 19530 QTY 1 & SECTION "A-A"	12/20/2012	PK
<b>REVISIONS</b>				

NO. REQD.		NEXT ASSEMBLY		NAME	DATE
		20619		JMV	7-13-11
				RR	10-29-13
MATERIAL		ENG APPR.		UNLESS OTHERWISE SPECIFIED: DIMENSIONS ARE IN INCHES	
SEE BOM				TOLERANCES:	
FINAL ASSEMBLY				FRACTIONS ±1/16	
59136				.XX ±.03	
FINISH				.XXX ±.010	
				ANGLE ± 1/2°	
				HOLE DIA:	
				.0135 - .125 DIA. +.004 -.001	
				.1260 - .250 DIA. +.005 -.001	
				.2510 - .500 DIA. +.006 -.001	
				.5010 - .750 DIA. +.008 -.001	
				.7510 - 1.000 DIA. +.010 -.001	
				THIRD ANGLE PROJECTION	
				SolidWorks	



**TITLE: SCREEN ASSEMBLY - SST LINE STRAINER  
20 MESH**

SIZE <b>B</b>	DWG. NO. <b>29541</b>	REV <b>B</b>
SCALE: 1:1	WEIGHT:	SHEET 1 OF 1