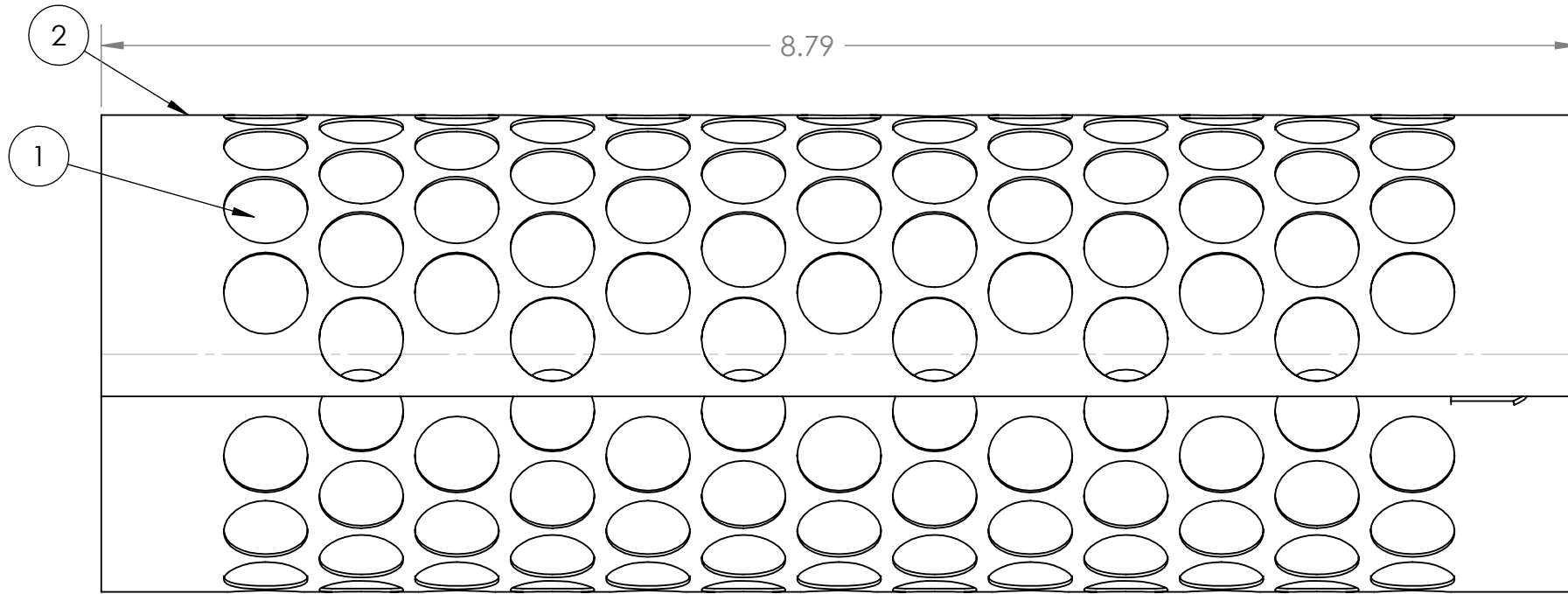


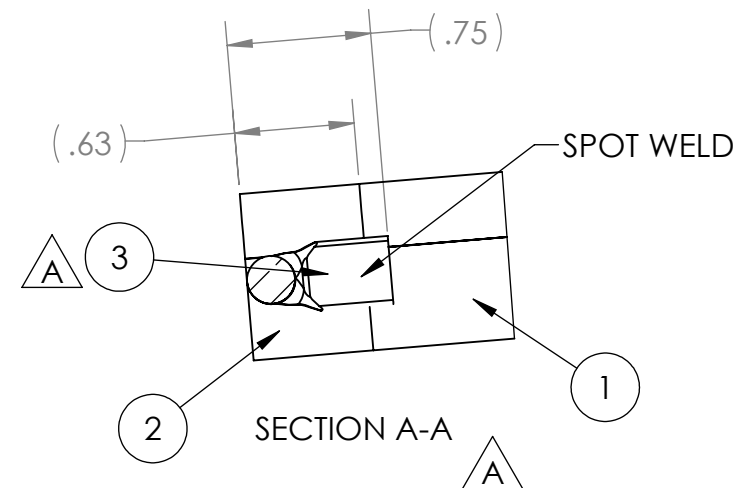
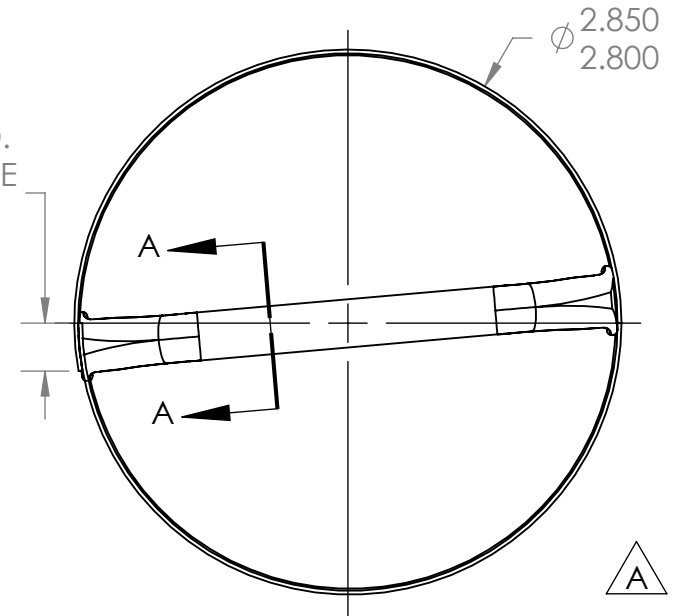
NOTES:

1. PART IS INTERCHANGEABLE WITH P/Ns 29537, 29539, 29540 & 29541.
2. SPOT WELD ITEMS 1 AND 2 TOGETHER IN FLAT PATTERN.
3. FORM TO DIMENSIONS REQUIRED AND SPOT WELD AS REQUIRED.

ITEM NO.	PART NUMBER	DESCRIPTION	QTY.
1	13998	SCREEN - 50 MESH	1
2	14837	SCREEN	1
3	19530	SCREEN HANDLE	1




SPOT WELD AS REQD.  
OVERLAP TO ACHIEVE  
REQD. DIA.  
(.25 REF)



**ENGINEERING APPROVED COPY  
FOR MANUFACTURE**

REV.	E.O.#	DESCRIPTION	DATE	BY
A	3754	ADDED ITEM 3 P/N 19530 QTY 1 & SECTION "A-A"	12/20/2012	PK
<b>REVISIONS</b>				

NEXT ASSEMBLY		NAME	DATE	UNLESS OTHERWISE SPECIFIED: DIMENSIONS ARE IN INCHES TOLERANCES: .XX ±.03 .XXX ±.010 ANGLE ± 1/2°  REMOVE ALL BURRS AND SHARP EDGES INTERPRET DRAWING PER ANSI Y14.5M-1982  ALL MACHINED SURFACES NOT TO EXCEED 63 MICROINCHES PER MIL-STD-10 UNLESS NOTED	 TITLE: SCREEN ASSY - SST LINE STRAINER 50 MESH	
DRAWN		JMV	7/14/11			
CHECKED		RR	1/02/13		SIZE	DWG. NO.
FINAL ASSEMBLY		MATERIAL		<b>B</b>	<b>29538</b>	<b>A</b>
59136		SEE BOM		SCALE: 1:1		WEIGHT: ??
59120		FINISH		SHEET 1 OF 1		
59118				SolidWorks		