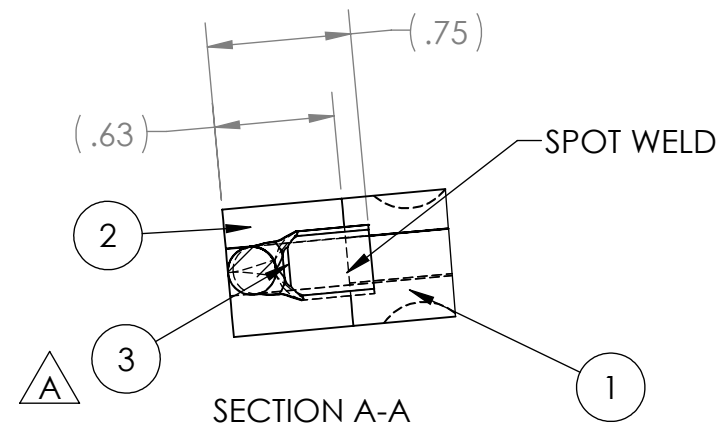
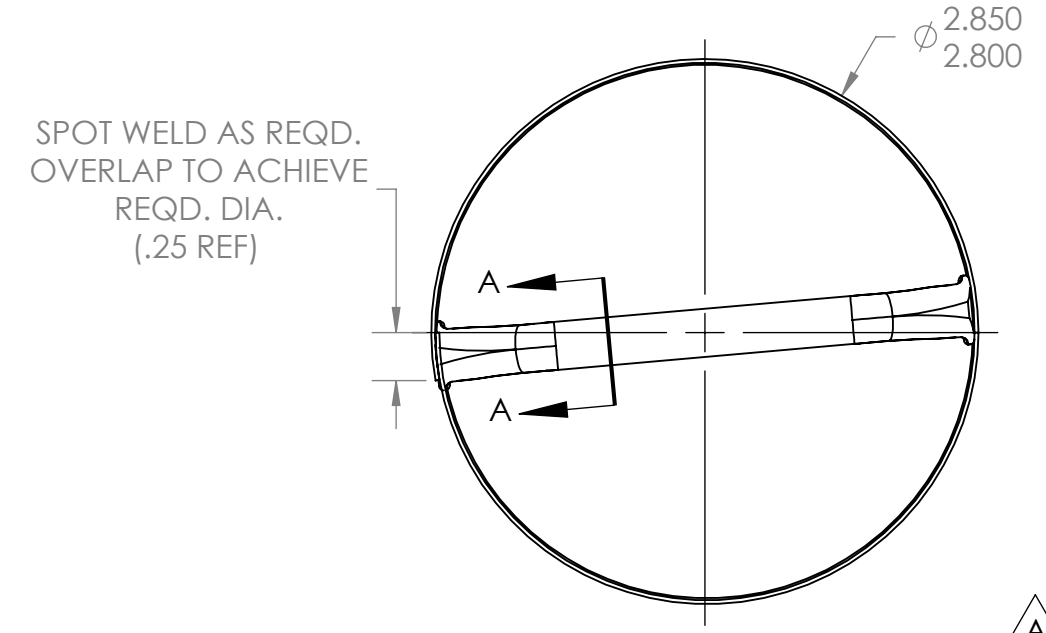
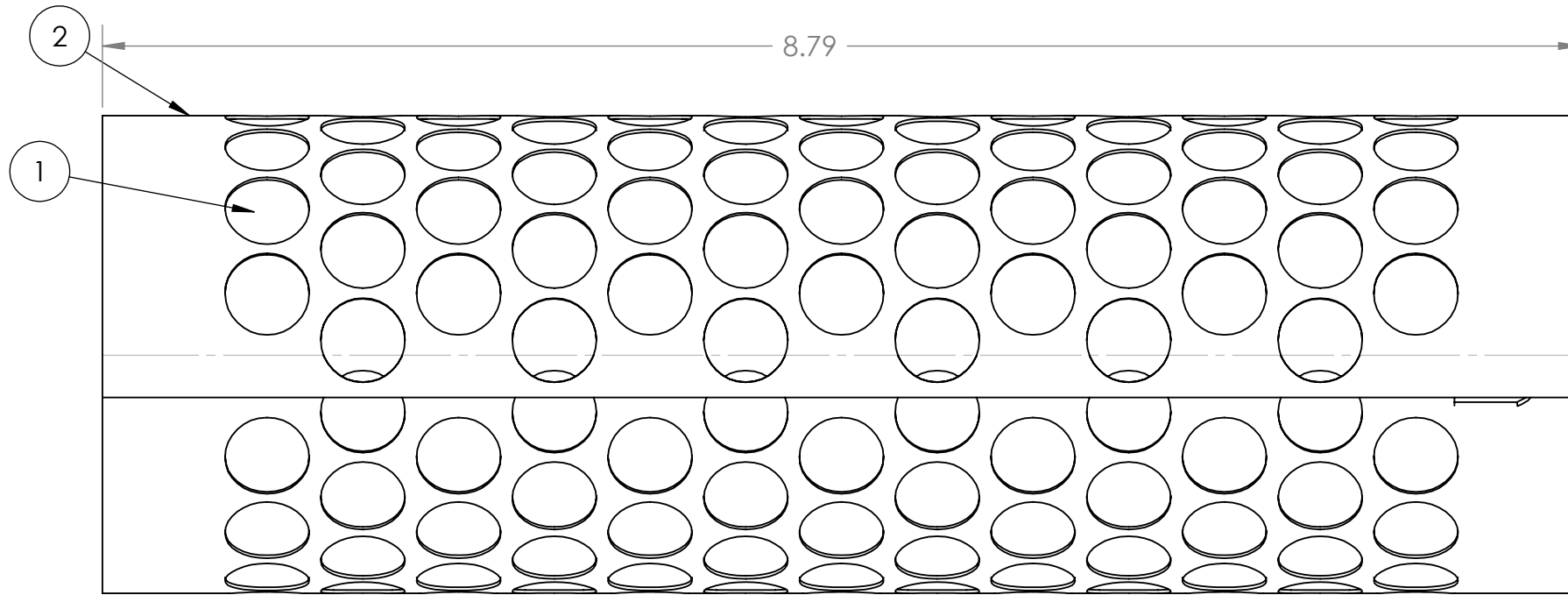


NOTES:


1. PART IS INTERCHANGEABLE WITH P/Ns 29538, 29539, 29540 & 29541.
2. SPOT WELD ITEMS 1 AND 2 TOGETHER IN FLAT PATTERN.
3. FORM TO DIMENSIONS REQUIRED AND SPOT WELD AS REQUIRED.

**ENGINEERING APPROVED COPY
FOR MANUFACTURE**

ITEM NO.	PART NUMBER	DESCRIPTION	QTY.
1	13992	SCREEN - 100 MESH	1
2	14837	SCREEN	1
3	19530	SCREEN HANDLE	1



REV.	E.O.#	DESCRIPTION	DATE	BY
A	3751	ADDED ITEM 3 P/N 19530 QTY 1 & SECTION "A-A"	12/20/2012	PK
REVISIONS				

NEXT ASSEMBLY		NAME	DATE	UNLESS OTHERWISE SPECIFIED: DIMENSIONS ARE IN INCHES TOLERANCES: .XX ±.03 .XXX ±.010 ANGLE ± 1/2° REMOVE ALL BURRS AND SHARP EDGES INTERPRET DRAWING PER ANSI Y14.5M-1982 ALL MACHINED SURFACES NOT TO EXCEED 63 MICROINCHES PER MIL-STD-10 UNLESS NOTED	 TRANSLAND	
DRAWN		JMV	7/14/11			
CHECKED		R.R.	1/02/13		TITLE: SCREEN ASSY - SST LINE STRAINER 100 MESH	
ENG APPR.						
FINAL ASSEMBLY		MATERIAL		SIZE		REV
		SEE BOM		B		A
		FINISH		DWG. NO.		
				29537		
				SCALE: 1:1		
				WEIGHT: ??		
				SHEET 1 OF 1		

