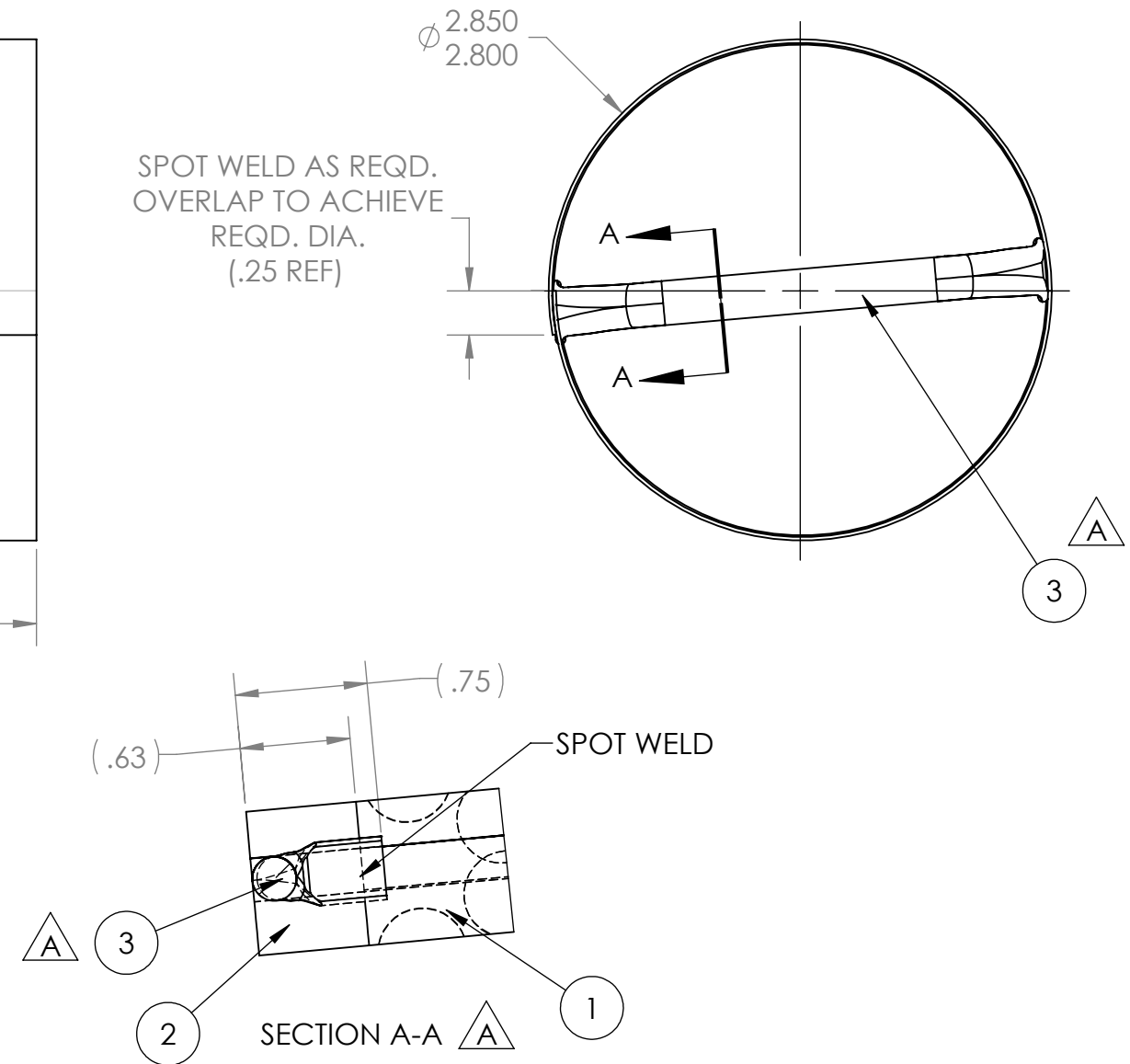
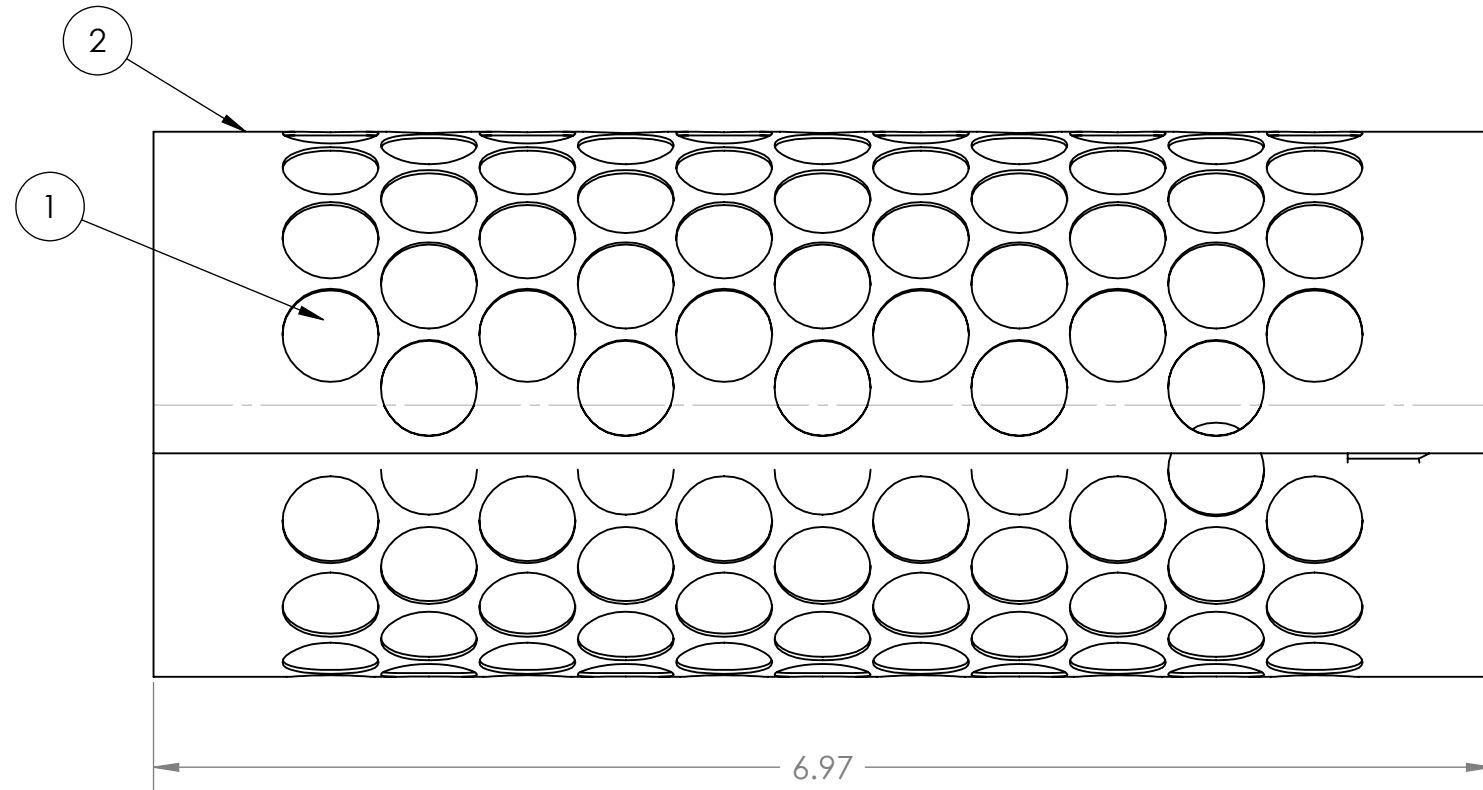


NOTES:

1. PART IS INTERCHANGEABLE WITH P/N 29530.
2. SPOT WELD ITEMS 1 AND 2 TOGETHER IN FLAT PATTERN.
3. FORM TO DIMENSIONS REQUIRED AND SPOT WELD AS REQUIRED.

ITEM NO.	PART NUMBER	DESCRIPTION	QTY.
1	13997	SCREEN - 20 MESH	1
2	14836	SCREEN	1
3	19530	SCREEN HANDLE	1



**ENGINEERING APPROVED COPY
FOR MANUFACTURE**

REV.	E.O.#	DESCRIPTION	DATE	BY
A	3748	ADDED ITEM 3 P/N 19530 QTY 1 & SECTION "A-A"	12/20/2012	PK
REVISIONS				

NEXT ASSEMBLY	NAME	DATE	UNLESS OTHERWISE SPECIFIED: DIMENSIONS ARE IN INCHES TOLERANCES: .XX ±.03 .XXX ±.010 ANGLE ± 1/2° REMOVE ALL BURRS AND SHARP EDGES INTERPRET DRAWING PER ANSI Y14.5M-1982 ALL MACHINED SURFACES NOT TO EXCEED 63 MICROINCHES PER MIL-STD-10 UNLESS NOTED		TITLE:	ASSEMBLY - SCREEN 20 MESH
	DRAWN	JMV 4/14/11			SIZE	DWG. NO.
	CHECKED	RR 1/02/13		 THIRD ANGLE PROJECTION SolidWorks	B	29531
FINAL ASSEMBLY	MATERIAL	SEE BOM		SCALE: 1:1	WEIGHT: ??	SHEET 1 OF 1
	FINISH					