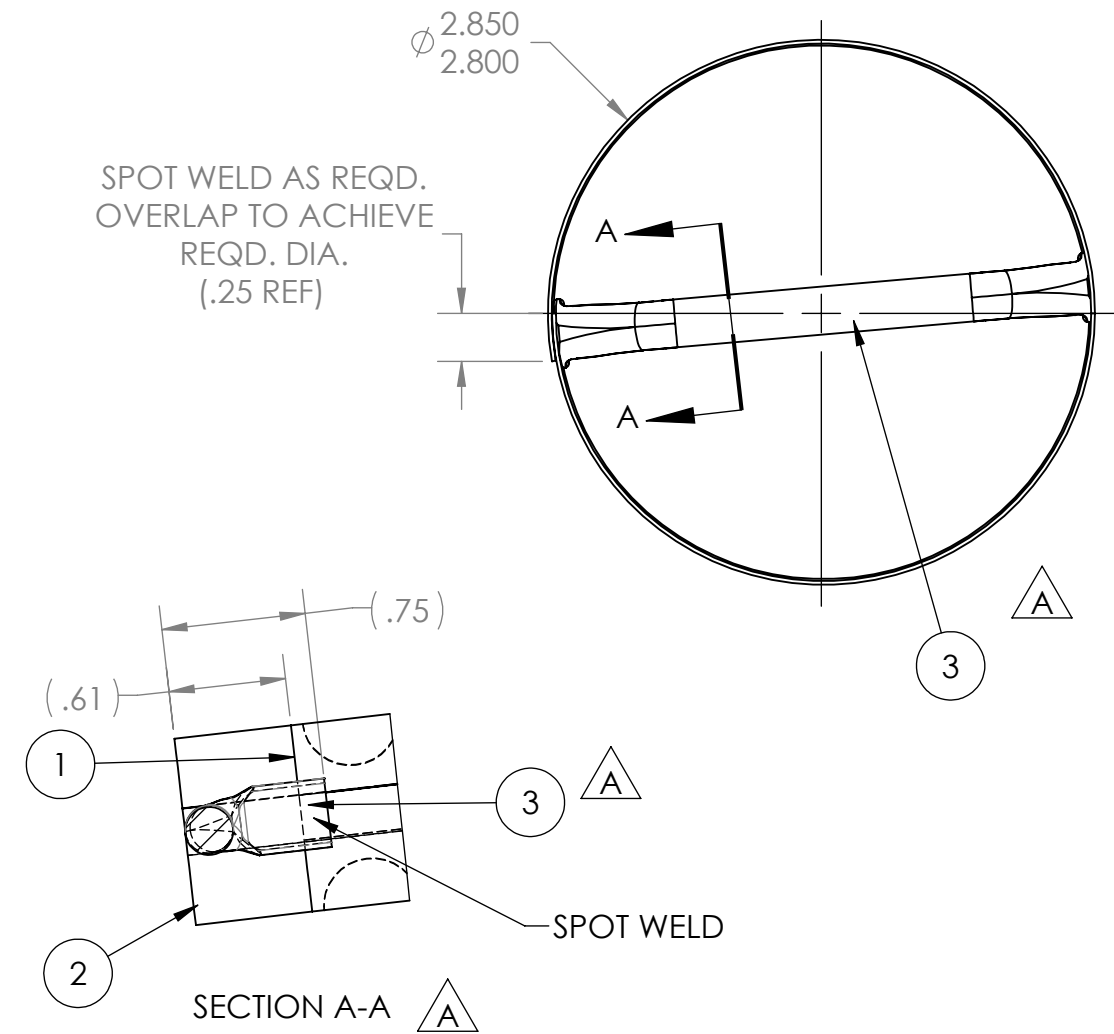
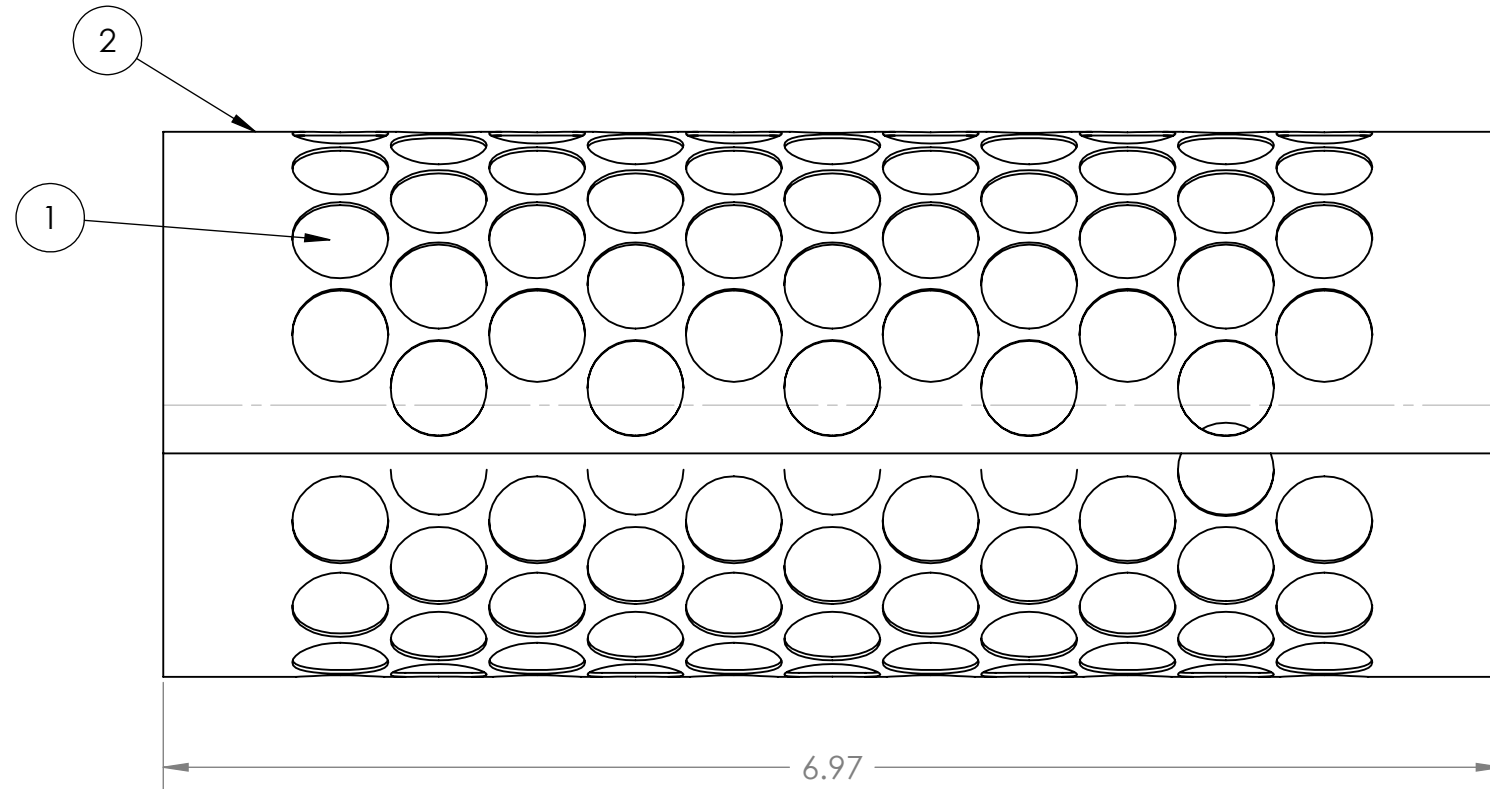


NOTES:

1. PART IS INTERCHANGEABLE WITH P/Ns 29528, 29529, 29530 & 29531.
2. SPOT WELD ITEMS 1 AND 2 TOGETHER IN FLAT PATTERN.
3. FORM TO DIMENSIONS REQUIRED AND SPOT WELD AS REQUIRED.

ITEM NO.	PART NUMBER	DESCRIPTION	QTY
1	13991	SCREEN - 100 MESH	1
2	14836	SCREEN	1
3	19530	SCREEN HANDLE	1



**ENGINEERING APPROVED COPY  
FOR MANUFACTURE**

REV.	E.O.#	DESCRIPTION	DATE	BY
A	3729	ADDED ITEM 3 P/N 19530 QTY 1, SECTION "A-A"	12/19/2012	PK
<b>REVISIONS</b>				

NEXT ASSEMBLY		NAME	DATE	UNLESS OTHERWISE SPECIFIED: DIMENSIONS ARE IN INCHES TOLERANCES: .XX ±.03 .XXX ±.010 ANGLE ± 1/2°  REMOVE ALL BURRS AND SHARP EDGES INTERPRET DRAWING PER ANSI Y14.5M-1982  ALL MACHINED SURFACES NOT TO EXCEED 63 MICROINCHES PER MIL-STD-10 UNLESS NOTED	
DRAWN		JMV	7/14/11		
CHECKED		R.R.	12/31/12		
ENG APPR.					
FINAL ASSEMBLY		MATERIAL			TITLE: ASSEMBLY - SCREEN 100 MESH
59103, 59104, 59105, 59106, 59192, 59194.		SEE BOM			SIZE B DWG. NO. <b>29527</b>
FINISH					REV <b>A</b>
				THIRD ANGLE PROJECTION <b>SolidWorks</b>	SCALE: 1:1 WEIGHT: ?? SHEET 1 OF 1