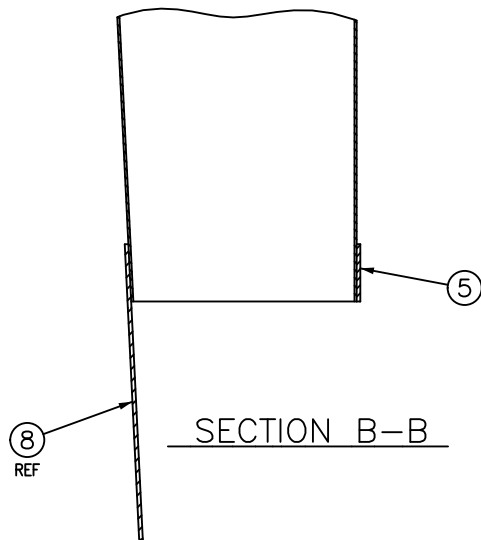
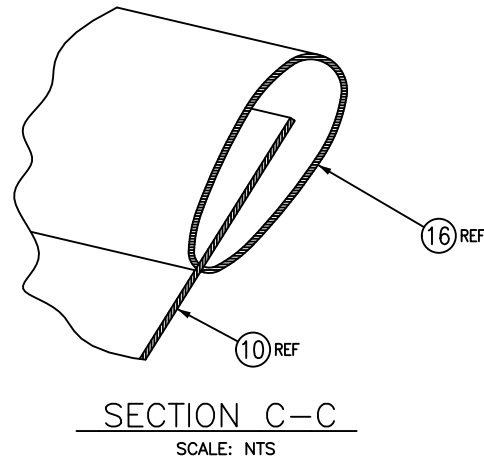
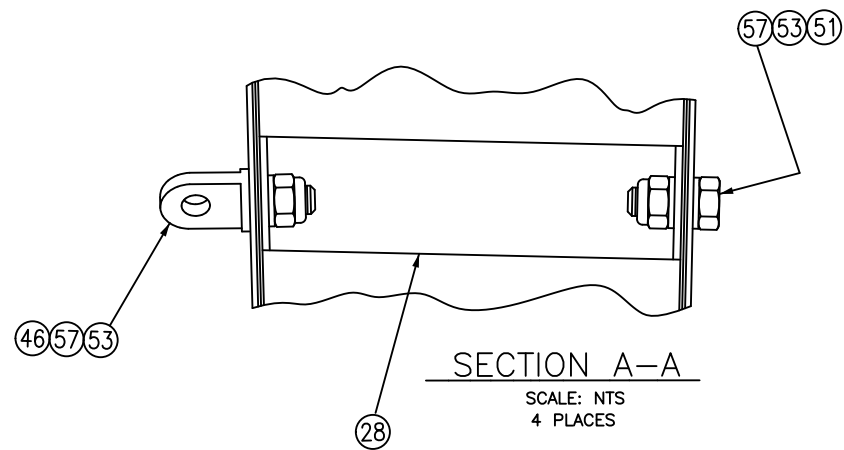


NOTES (UNLESS OTHERWISE SPECIFIED):

- ITEM 39, SPREADER QUICK DISCONNECT ASSY AND ITEM 52, SPREADER HANGER ASSY ARE NOT SHOWN BUT SHIPPED WITH SPREADER ASSY.
- DO NOT SCALE DRAWING, DRAWING IS FOR PART IDENTIFICATION ONLY AND MAY NOT REFLECT ACTUAL ASSEMBLY.



ENGINEERING APPROVED COPY  
FOR MANUFACTURE

ITEM NO.	PART NO.	NO. REQD.	DESCRIPTION	MATERIAL	SIZE	SPECIFICATION	ZONE
68	80536	24	JAM NUT 5/16-18				
67	16529★	4	CORNER PLATE				
66	10866	6	WASHER				
65	10870	24	WASHER				
64	10384	A/R	5/16-18 THREADED ROD				
63	85584★	40	POP RIVET				
62	82024	260	RIVET				
61	82022	900	RIVET				

BILL OF MATERIAL (CONTINUED)

60	82017	20	RIVET (NOT SHOWN)				
59	82014	220	RIVET (NOT SHOWN)				
58	82013	20	RIVET (NOT SHOWN)				
57	81237	8	WASHER				
56	81230	2	WASHER				
55	81219★	4	WASHER				
54	80570★	4	NUT				
53	80583	8	NUT				
52	80559	2	NUT				
51	85643	4	BOLT				
50	80104	2	BOLT				
49	80007	4	BOLT				
48	58564	4	SPREADER HANGER ASSY				
47	50217★	2	LATCH ASSY				
46	16599	4	EYE BOLT				
45	15481	1	VANE ASSY-#5 LH				
44	15480	1	VANE ASSY-#5 RH				
43	15479	1	VANE ASSY-#4 LH				
42	15478	1	VANE ASSY-#4 RH				
41	15477	1	VANE ASSY-#3 LH				
40	15476	1	VANE ASSY-#3 RH				
39	15475	1	VANE ASSY-#2 LH				
38	15474	1	VANE ASSY-#2 RH				
37	15473	1	VANE ASSY-#1 LH				
36	15472	1	VANE ASSY-#1 RH				
35	23505	1	SPREADER QUICK DISCONNECT				
34	11530	10	STIFFENER WITH FINGERS				
33	17524	1	SIDE PLATE, RH				
32	17523	1	SIDE PLATE, LH				
31	12992	4	SILICONE RUBBER - RED				
30	16036	2	PLATE, SIDE				
29	13542	1	TOP PLATE				
28	15492	4	STIFFENER, EYE BOLT				
27	15491	1	FAIRING, FRONT, LH				
26	15490	1	FAIRING, FRONT, RH				
25	15489	1	FAIRING, REAR, LH				
24	15488	1	FAIRING, REAR, RH				
23	15483	1	FAIRING VANE, LH				
22	15482	1	FAIRING VANE, RH				
21	12989	4	SEAL RETAINER				
20	18519	10	HINGE				
19	14582	4	FORWARD FAIRING STIFFENER				
18	14462	1	TUBE, RH, STREAMLINE				
17	14461	1	TUBE, LH, STREAMLINE				
16	14457	1	TUBE, LOWER				
15	24194	1	BAFFLE, RIGHT HAND				
14	24193	1	BAFFLE, LEFT HAND				
13	15497	2	AFT FAIRING DOUBLER				
12	13548	1	HAT SECTION, REAR				
11	18518	10	ADJUSTABLE VANE				
10	13543	1	PLATE, BOTTOM				
9	13534	1	HAT SECTION, AFT				
8	13527	1	DEFLECTOR, MIDDLE				
7	15487	2	STIFFENER, OUTLET				
6	15484	10	STIFFENER				
5	13504	1	TRAIL EDGE				
4	13503	4	STIFFENER, TRAILING EDGE				
3	13502	2	SKIN, RIGHT-LOWER				
2	13501	2	SKIN, LEFT-LOWER				
1	13500	4	STIFFENER				

DWG NO. 23538  
SHEET 1 OF 2  
REV NC

NC	11211	INITIAL RELEASE	RC	12/11/17	CLK	12/13/17
REV.	E.O.	DESCRIPTION	BY	DATE	APPR'D	DATE
		REVISION				

ITEM NO.	PART NO.	NO. REQD.	DESCRIPTION	MATERIAL	SIZE	SPECIFICATION	ZONE	NO. REQD.	NEXT ASSEMBLY	MODEL
			NAME	DATE	UNLESS OTHERWISE SPECIFIED: DIMENSIONS ARE IN INCHES					
DRAWN			RC	12/11/17	TOLERANCES: FRACTIONS ±1/16 JOX ±.03 ANGLE ±1/2°					
CHECKED			RR	12/12/17	HOLE DIA: .0135 - .125 DIA. +.004 -.001					
ENG APPR			CLK	12/13/17	INTERPRET DRAWING PER ANSI Y14.5M-1982					
					SURFACE ROUGHNESS PER MIL-STD-10					
					ALL MACHINED SURFACES NOT TO EXCEED 32 MICROINCHES PER MIL-STD-10 UNLESS NOTED					
					AUTO CAD					
					THIRD ANGLE PROJECTION					
					SCALE: NTS					
					MODEL:					

1206 HATTON ROAD, WICHITA FALLS, TX 76302

ASSEMBLY - 38" 10 VANE DEEP THROAT SPREADER

SIZE: D DRAWING NO. 23538 REV NC

SHEET 1 OF 2