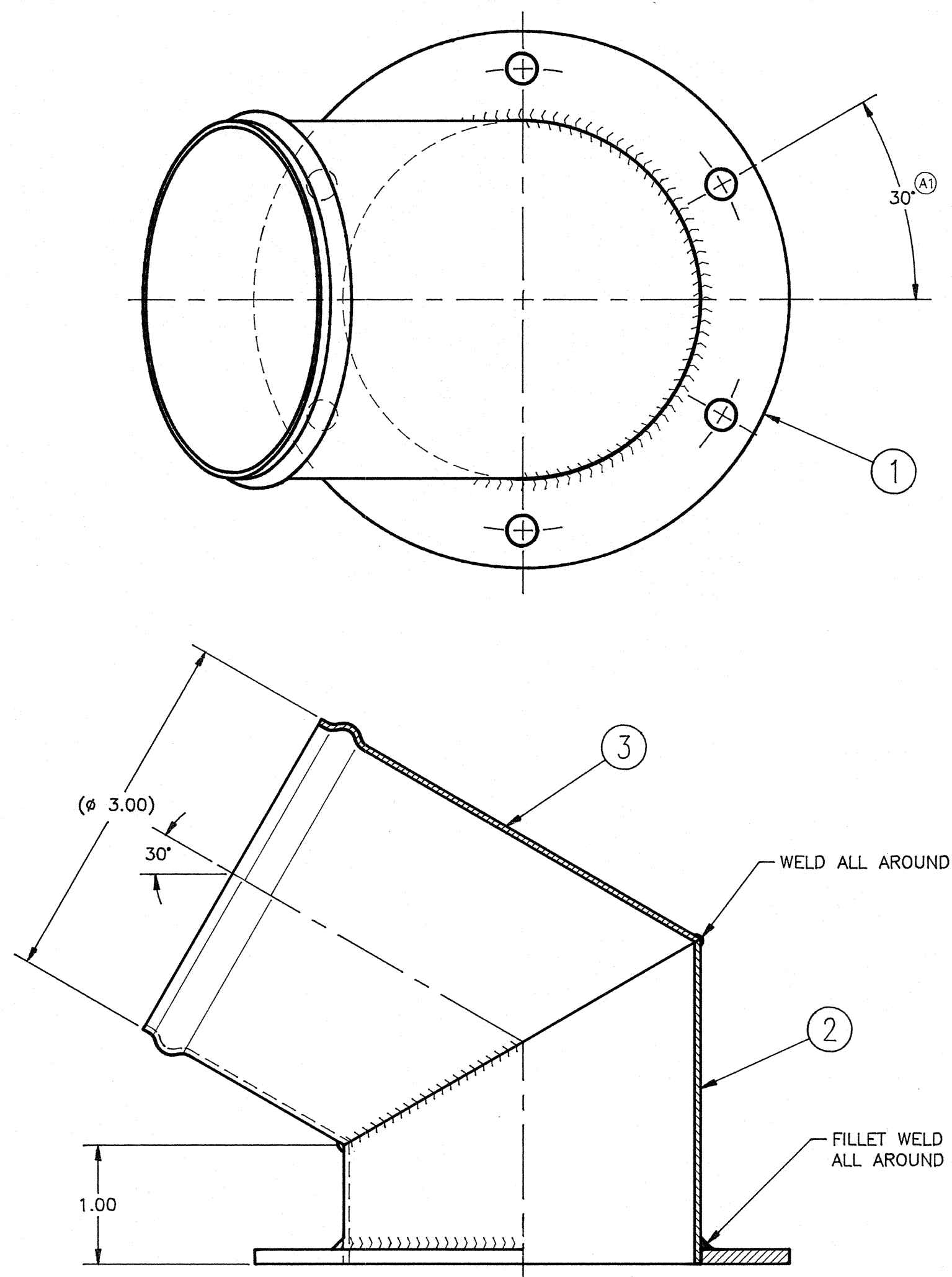


LETTER	CHANGE	BY DATE	REFERENCE
NC	INITIAL RELEASE	SCM 3/12/96	
A	added: (1); was: (2) AT 30°	SCM 3/18/98	



DWG NO. 50944

REVISION  
A

ITEM NO.	PART NO.	NO. REQD.	DESCRIPTION	SIZE	SPECIFICATION	NO. REQD.	NEXT ASSEMBLY	NO. REQD.	FINAL ASSEMBLY
1	14518	1	MOUNTING PLATE						
HEAT TREAT			DRAWN	MARSELOS	3/12/96	CHECKED	PR 8-11-14	STRESS	APPROVED
FINISH			UNLESS OTHERWISE SPECIFIED		SURFACE ROUGHNESS PER MIL-STD-10		SCALE		REV
			TOLERANCES:		.00 ± .03		1/1		A
					.000 ± .010		DWG SIZE		
					ANGULAR ± 1/2°		C		
					DRILLED HOLES PER AND 10387		TITLE		
					REMOVE ALL BURRS AND SHARP EDGES		ASSEMBLY-		
					DO NOT SCALE DRAWING		INLET, 3" HOSE		
					INTERPRET DRAWING PER ANSI Y14.5M-1982		AT 60° (A2)		
							DRAWING NUMBER		50944