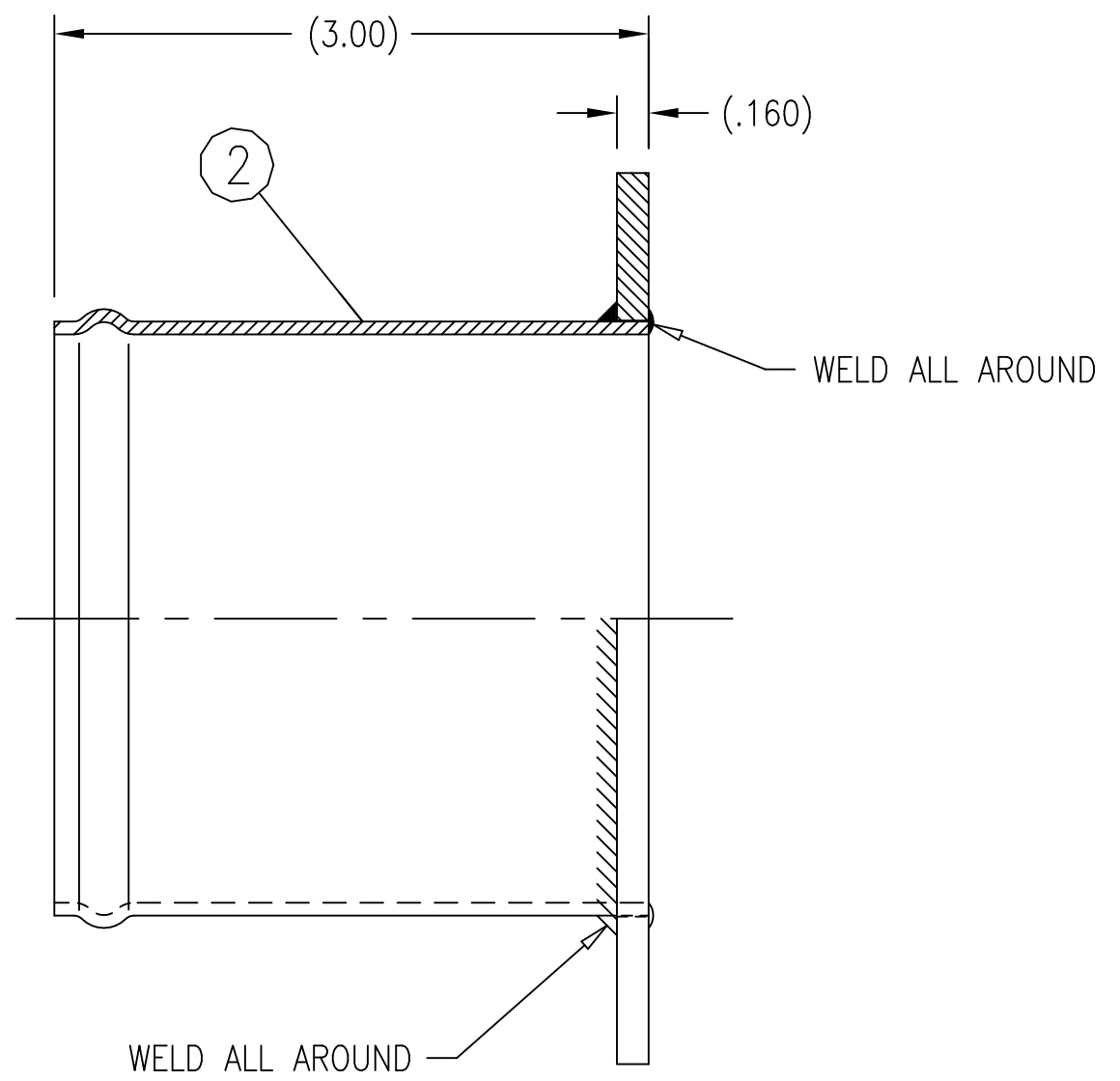
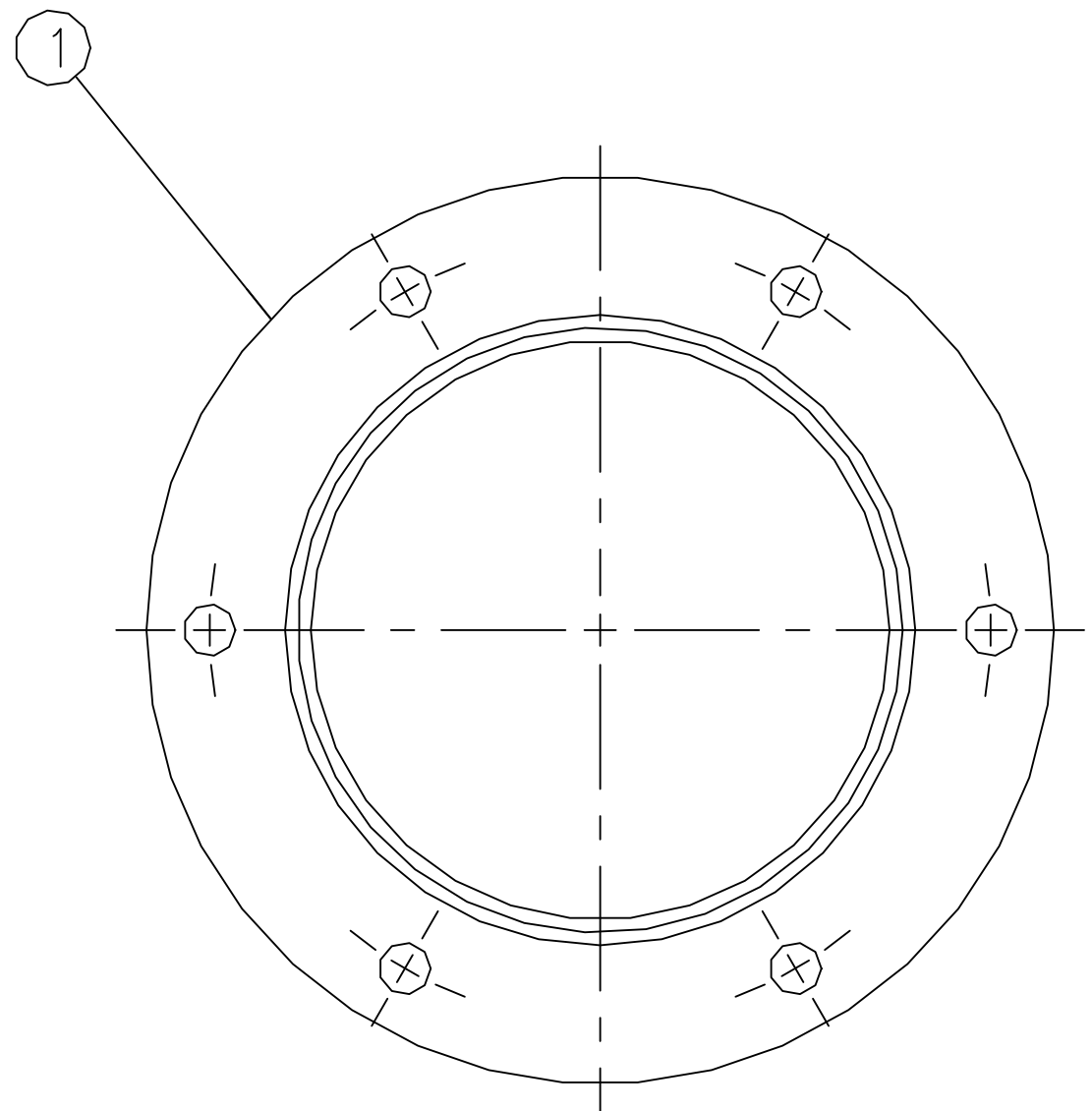


DWG NO. 50858

REVISION
A

LETTER	CHANGE	BY DATE	REFERENCE
NC	INITIAL RELEASE	SCM 6/1/94	
A	ITEM 1 WAS P/N 24392	JMV 5/11/11	E.O. 01294



**ENGINEERING APPROVED COPY
FOR MANUFACTURE**

2	14579	1	TUBE																
1	14561	1	FLANGE																
ITEM NO.	PART NO.	NO. REQD.	DESCRIPTION	SIZE	SPECIFICATION	NO. REQD.	NEXT ASSEMBLY	NO. REQD.	FINAL ASSEMBLY										
			MATERIAL																
HEAT TREAT			DRAWN	MARSELLOS	6/1/94	CHECKED	R.R.	5/11/11	STRESS	APPROVED									
FINISH			UNLESS OTHERWISE SPECIFIED				SCALE		TRANSILAND INC.										REV
			TOLERANCES:				1/1												A
			.00 ± .03				DWG SIZE		TITLE										DRAWING NUMBER
			.000 ± .010				B		WELD ASSY- 3" STRAIGHT INLET, SST PUMP										50858
			ANGULAR ± 1/2°																
			DRILLED HOLES PER AND 10387																
			REMOVE ALL BURRS AND SHARP EDGES																
			DO NOT SCALE DRAWING																
			INTERPRET DRAWING PER ANSI Y14.5M-1982																