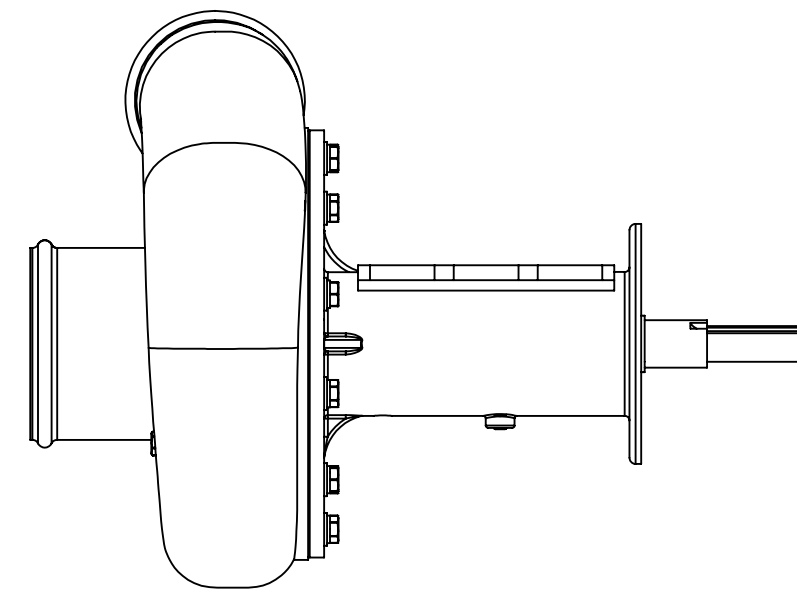
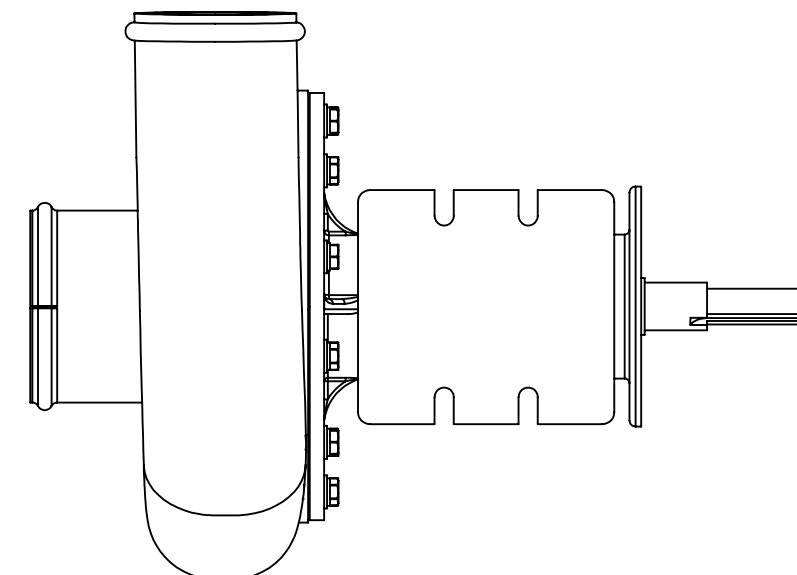
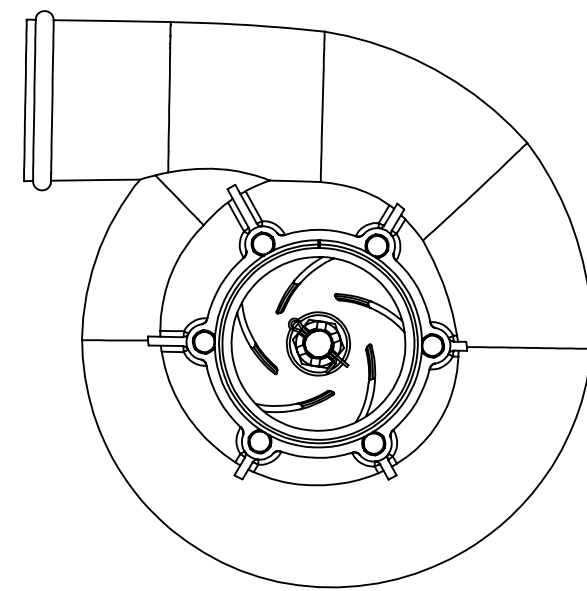
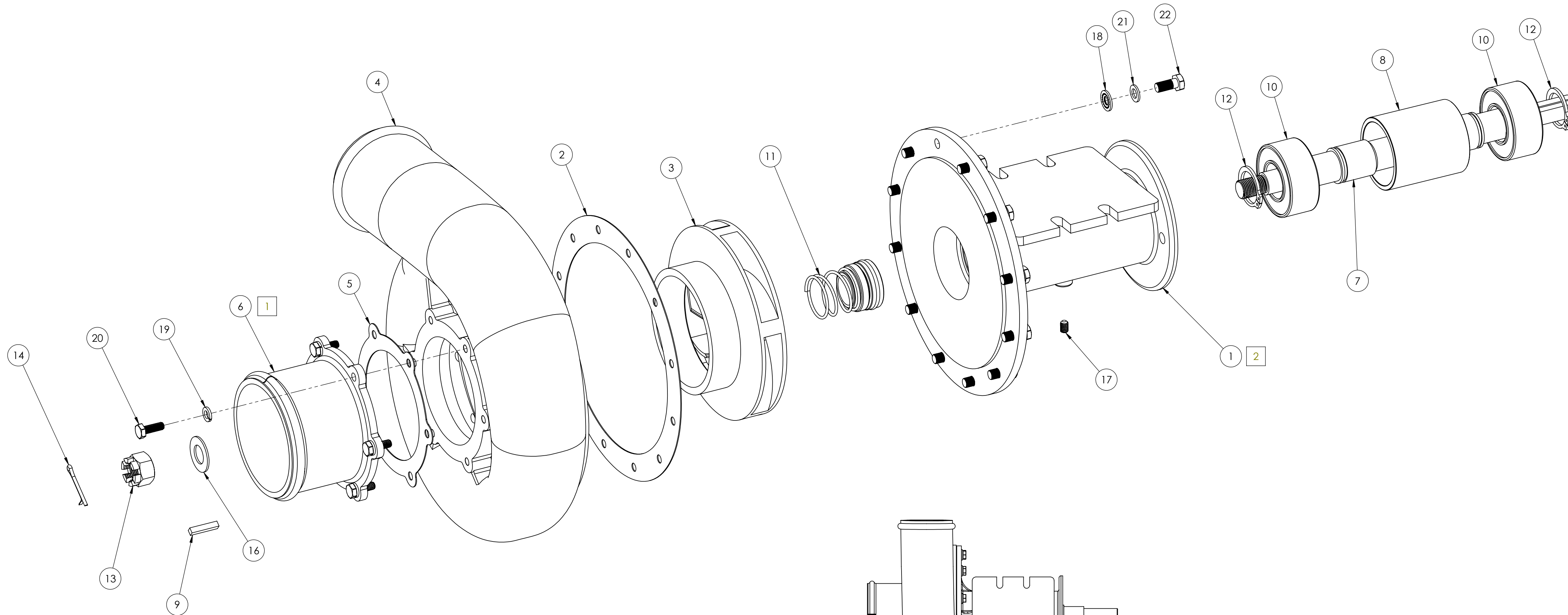


NOTES (UNLESS OTHERWISE SPECIFIED)

1. PN-40987 (INLET 4" STRAIGHT) OR USE HOSE CONN-ASSY - 45° - PN-22313
2. FOR PN-40422 BEARING CASE, OPEN 12 HOLES ON FLANGE TO ϕ .332 ("Q" DRILL)



ITEM NO.	PART NO.	NO. REQD	DESCRIPTION	SIZE	SPEC.	NO. REQD	NEXT ASSEMBLY	FINAL ASSEMBLY
22	80935	12	BOLT HEX HEAD	99894A201				
21	81233	12	FLAT WASHER	AN960C516				
20	85667	6	BOLT HX HEAD	MS35307-306				
19	81195	6	SPLIT L'K WASHER	AN935C-416				
18	85694	12	STAT-O-SEAL					
17	85632	1	SET SCREW					
16	81252	1	WASHER					
15								
14	80593	1	COTTER PIN 1/8 x 1					
13	80507	1	NUT					
12	74570	2	RETAINING RING SHR-118ST-PA					
11	85687	1	SHAFT SEAL					
10	71570	2	BEARING 7" SPRAY PUMPS					
9	10636	1	KEY					
8	40986	1	SPACER, BEARING					
7	40984	1	SHAFT 6.5" GRUMMAN					
6	40987	1	INLET 4" STRAIGHT					
5	60789	1	GASKET					
4	40981	1	VOLUTE HOUSING - 7" IMPELLER					
3	40988	1	IMPELLER					
2	60021	1	GASKET					
1	40422	1	BEARING CASE					

REV.	E.O.	DESCRIPTION	BY	DATE	APPR'D	DATE
C	11225	CORRECTED EXPLODED VIEW; DELETED PN 81336 (ITEM NO. 15);	LA	12/19/2017	CLK	12/20/2017
B	9395	CHANGED ITEM 11 85689 TO 85687	RC	10/19/2016	CLK	10/24/2016
A	4341	DRAWN IN SOLIDWORKS.	PK	6/11/2013	JMV	6/12/2013

REVISIONS

**ENGINEERING APPROVED COPY
FOR MANUFACTURE**

<table border="1"> <tr> <th>NAME</th> <th>DATE</th> </tr> <tr> <td>PK</td> <td>6/12/13</td> </tr> <tr> <td>RR</td> <td>10/24/16</td> </tr> <tr> <td>CLK</td> <td>10/24/16</td> </tr> </table>	NAME	DATE	PK	6/12/13	RR	10/24/16	CLK	10/24/16	<p>UNLESS OTHERWISE SPECIFIED: DIMENSIONS ARE IN INCHES TOLERANCES: FRACTIONS ±1/16 XX ±.03 XXX ±.010 ANGLE ±1/2°</p> <p>SOLE DIA: .0135 - .125 DIA. +.004 - .001 .1249 - .250 DIA. +.005 - .001 .2510 - .500 DIA. +.006 - .001 .5010 - .750 DIA. +.008 - .001 .7510 - 1.000 DIA. +.010 - .001</p> <p>REMOVE ALL BURRS AND SHARP EDGES INTERPRET DRAWING PER ANSI Y14.5M-1982 SURFACE ROUGHNESS PER MIL-STD-10 ALL MACHINED SURFACES NOT TO EXCEED 32 MICROINCHES PER MIL-STD-10 UNLESS NOTED</p>	<p>TRANSLAND 1206 HATTON ROAD, WICHITA FALLS, TX 76702</p> <p>TITLE: SPRAY PUMP 7" (DYN CORP)</p> <p>SIZE D DWG. NO. 25005 REV C</p> <p>SCALE: NTS MODEL: SHEET 1 OF 1</p>
NAME	DATE									
PK	6/12/13									
RR	10/24/16									
CLK	10/24/16									