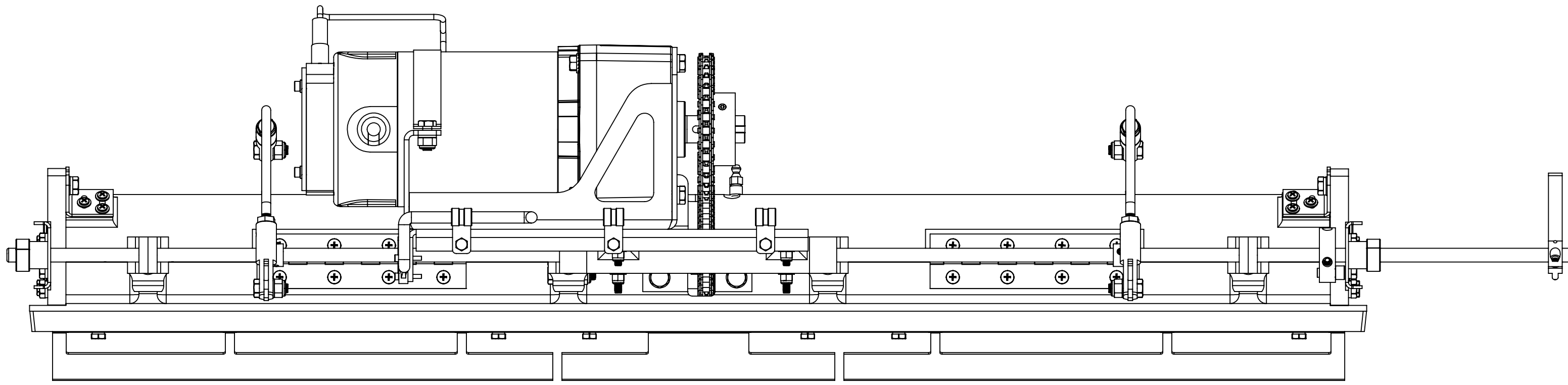
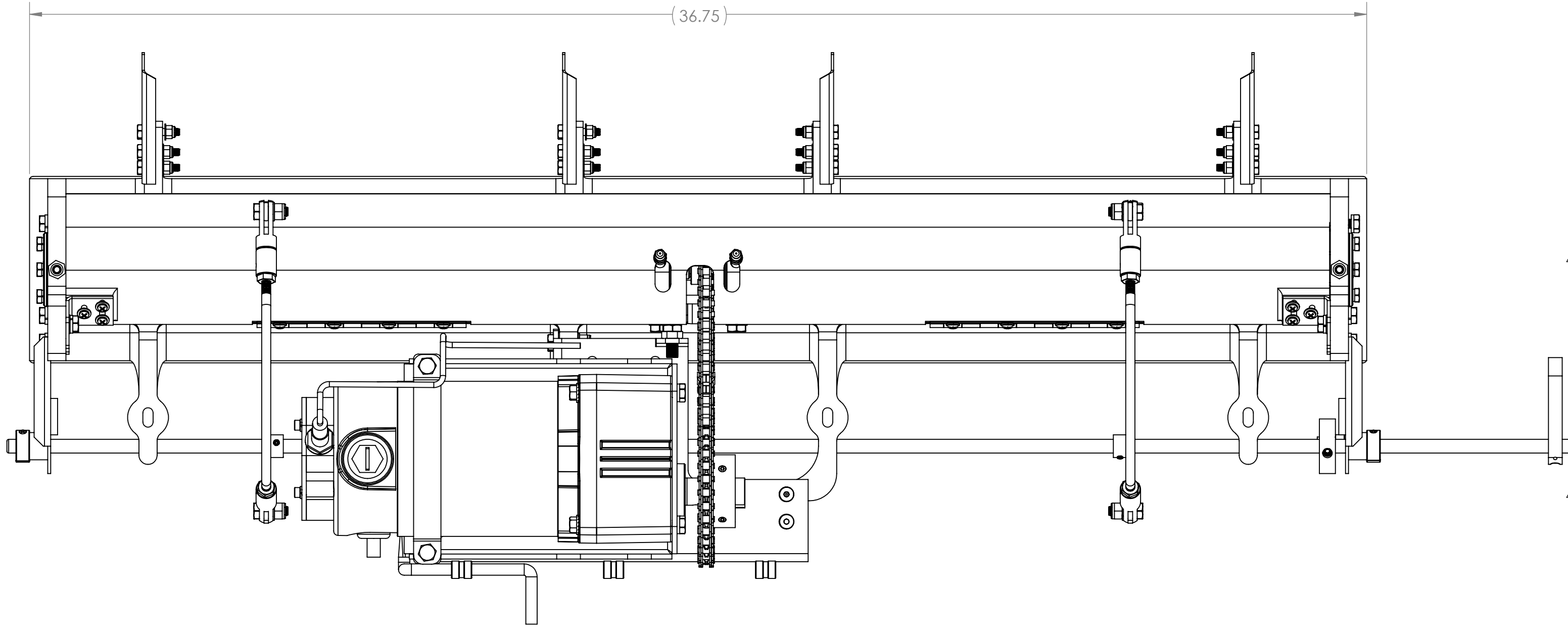


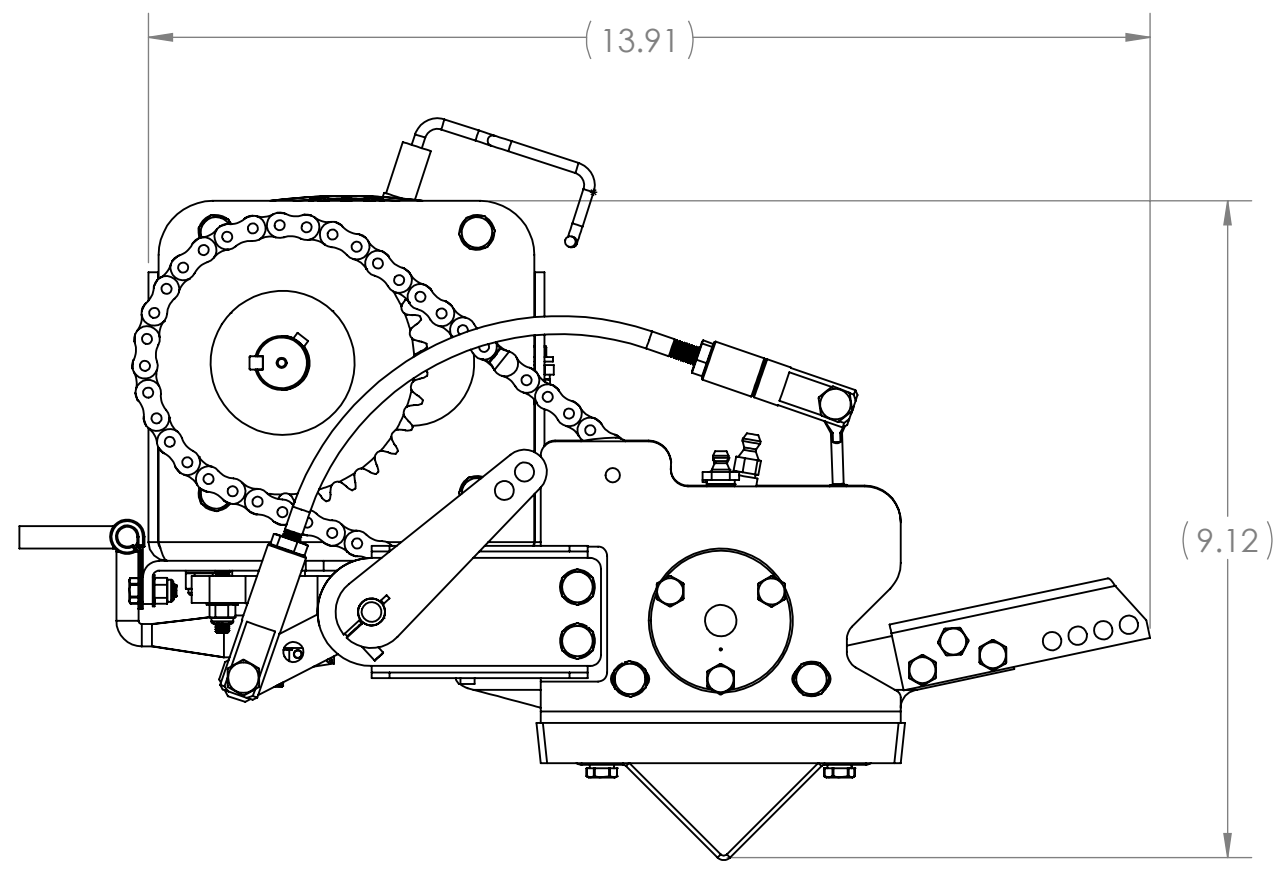
NOTES (UNLESS OTHERWISE SPECIFIED)

- ASSEMBLY REQUIRES A COMBINATION OF 4 TEFLON WASHERS ITEMS 30, 92, 93, 94.
- INSTALL ITEM 33 WITH PERMATEX 262 OR LOCTITE 262 RED PERMANENT STRENGTH THREADLOCKER PER MANUFACTURER'S INSTRUCTIONS
- INSTALL ITEM 96 & 45 WITH PERMATEX 242 OR LOCTITE 242 BLUE MEDIUM STRENGTH THREADLOCKER PER MANUFACTURER'S INSTRUCTIONS
- MOTOR LEAD TO CABLE SOLDER GUIDE RED-BLACK, WHITE-GREEN, BLACK/WHITE
- GREASE ITEMS #43 & #44.
- BAG 80004 & 81192, QTY. 12 EACH, SHIP WITH 15158, QTY.1.
- SOLDER WIRES, MOTOR (28652) TO CABLE(86203), BLACK & BLACK, WHITE & RED, GREEN & WHITE.



ITEM NO.	PART NUMBER	DESCRIPTION	QTY.
66	80004	BOLT HX HEAD	22
67	80114	BOLT HX HEAD	2
68	80559	LOCK NUT SS	13
69	15172	MOTOR STRAP	1
70	80007	BOLT HX HEAD	3
71	80847	SCREW FLT-HEAD SOCKET-	2
72	80553	NUT HX-HEAD SS 5/16-24 JAM	1
73	80535	NUT HX-HEAD SS 1/4-28 RH	2
74	80944	SOCKET HD CAP SCREW SS	1
75	22775	METERATE CONTROL BOX 24V (NOT SHOWN)	1
76	86200	CABLE, MAIN PWR STD 7' LG (NOT SHOWN)	1
77	86201	CABLE, MAIN PWR STD 7' LG (NOT SHOWN)	1
78	-	-	-
79	86204	CABLE, I.O. HARNESS ASSY STD (NOT SHOWN)	1
80	86206	CABLE, I.O. HARNESS EXTEND 10' LG (NOT SHOWN)	1
81	-	-	-
82	80532	NUT HX-HEAD SS 1/4-28 LH	2
83	84314	GREASE FITTING EXTENSION	2
84	28654	CONTROL ROD SUPPORT BRACKET	2
85	-	-	-
86	86083	SHAFT COLLAR 3/8 ID	2
87	81049	CABLE CLAMP	2
88	-	-	-
89	81016	SOCKET HD CAP SCREW	1
90	81196	SPLIT WASHER	12
91	15158	SHIELD	1
92	-	-	-
93	-	-	-
94	-	-	-
95	86203	CABLE-MOTOR PIGTAIL (NOT SHOWN)	1
96	80885	SCREW, PN HD AN526C1032-R4	32
97	81210	FLAT WASHER AN960C6	6
98	81208	SPLIT L'K WASHER AN935C-516	4
99	85161	CALBE CLAMP 1/2"	1
100	15165	KEY 1/8 SHORT	2
101	-	-	-
102	81227	FLAT WASHER AN960C416L	13
103	35164	URETHANE ROTOR, RH	1
104	80104	BOLT HX HEAD	6

ITEM NO.	PART NUMBER	DESCRIPTION	QTY.
1	48650	HOUSING MACHINED, 38"	1
2	45154	INBOARD BEARING HOUSING - RH METERATE	2
3	48655	SIDE PLATE	1
4	48656	SIDE PLATE	1
5	48651	DOOR, MACHINED	1
6	35165	URETHANE ROTOR, LH	1
7	18653	PANEL, 38" METERATE	1
8	55165	MOTOR PLATFORM	1
9	55183	MOTOR MOUNTING BRACKET	1
10	45152	INBOARD BEARING CAP	2
11	15154	CORNER PLATE	1
12	18651	ADJUSTMENT CLIP, RH	1
13	18650	ADJUSTMENT CLIP, LH	1
14	43709	END CAP	2
15	45155	INBOARD SPROCKET HUB	2
16	45151	LARGE SPROCKET	1
17	-	-	-
18	-	-	-
19	-	-	-
20	48657	DISC, SWITCH ACTIVATING	1
21	40798	CLEVIS RH	2
22	40799	CLEVIS LH	2
23	42768	ROD, LINKAGE	2
24	20445	ARM WELDMENT	2
25	42750	EXTENSION ARM, RH	2
26	42753	EXTENSION ARM, LH	2
27	-	-	-
28	43742	SHAFT	1
29	18652	HINGE	4
30	-	-	-
31	83396	CHAIN #35	3FT
32	48845	TURN BUCKLE BOLT	2
33	71950	BUSHING	6
34	60235	GASKET	2
35	28655	MOTOR MODIFICATION ASSEMBLY	1
36	60713	GASKET, DOOR GATE BOX	1
37	80238	BOLT HX HEAD	5
38	71558	BEARING	4
39	86208	CABLE, DOOR SWITCH PIGTAIL	1
40	71606	LIP SEAL	2
41	42746	SHAFT STOP POS	1
42	46132	CONTROL ARM	1
43	86177	MALE GREASE ZERK - 1/8 NPT (SEE NOTE #5)	2
44	80603	GREASE FITTING 1/4-28 UNF (SEE NOTE #5)	2
45	80901	SCREW, PN HD AN515-6R5	6
46	81202	WASHER, INTERNAL STAR	32
47	80102	BOLT HX HEAD	4
48	81192	SPLIT L'K WASHER AN935C-10	10
49	85672	BOLT HX HEAD CP	4
50	81195	SPLIT L'K WASHER AN935C-416	14
51	80931	SOCKET HD CAP SCREW S.S.	2
52	80019	BOLT HX HEAD AN3C-10A	12
53	81212	FLAT WASHER AN960C10L	19
54	80570	LOCK NUT SS	19
55	82304	SPROCKET #6236K117	1
56	85630	SET SCREW	5
57	85632	SET SCREW	2
58	83397	HALF LINK #35 CHAIN	1
59	82394	CHAIN MASTER LINK #35	1
60	80108	BOLT HX HEAD AN4C-6A	4
61	81230	FLAT WASHER AN960C416	2
62	80862	SCREW FLT-HEAD SOCKET	2
63	80808	FLAT HEAD SCREW	6
64	85665	BOLT HX HEAD SS	2
65	-	-	-



REV.	E.O.	DESCRIPTION	BY	DATE	APPR'D	DATE
W	11206	CHANGED ITEM NO. 69 TO 15172	RC	12/7/2017	CS	12/7/2017
V	9764	UPDATED ITEM NO. 8 TO CURRENT REV ; CHANGED QTY. ON ITEM NO. 48, 53, 54, 56, 62, 67, 68, 99, 102, 104 ; ADDED ITEM NO. 70, 71, 90 ; CHANGED ITEM NO. 87 TO 81049 ; CHANGED ITEM NO. 9, 35, 69	RC	1/20/2017	CLK	5/18/2017
U	7553	REVIEWED AND REVISED B.O.M. ; ADD NOTES 6 & 7	RC	11/19/2015	CLK	11/20/2015
T	5822	SEE E.O. FOR DETAILS	PK	9/8/2014	JMV	9/9/2014
R	4954	ITEM 75 PN-22775 WAS 22773	PK	11/4/2013	JMV	11/5/2013
P	4463	#17 PN-45157 WAS 42157, #66 PN-80004 QTY 22 WAS 18 & #90 PN-81196 QTY 12 WAS 8	PK	7/15/2013	JMV	7/16/2013
N	4235	UPDATED B.O.M. AND CORRECTED BALLOONS - SEE E.O. FOR DETAILS	PK	5/21/2013	JMV	5/22/2013
M	4142	ADDED NOTE #4, #87 P/N 81043 QTY 2 WAS 3 & #99 P/N 85161 QTY 3 WAS 2	PK	3/20/2013	JMV	3/21/2013
L	4037	ITEM 97 P/N 81211 WAS 81261, CORRECTED BALLOONS ON SHEET 1	PK	3/24/2013	JMV	3/25/2013
K	3187	ITEM 55 P/N 82305 WAS 82301, ADDED ITEM 99 P/N 85161 QTY 2, #100 P/N 15166 QTY 2	PK	8/24/2012	JMV	8/25/2012
J	2963	ADD NOTE 2 & 3, ITEM 99 P/N 85161 QTY 2, ITEM 87 QTY 3 WAS 5	PK	6/20/2012	JMV	6/21/2012
H	1812	37(80238) QTY 5 WAS 1, #45(80901) QTY 6 WAS 38, #46(81201) QTY 36 WAS 42, ADD: #48(81192) QTY 6, #60(80108) QTY 4 WAS 8, #61 (81230) QTY 23 WAS 25, #66(80004) QTY 18 WAS 4, DEL.#70(15157) QTY 1, #71(PN-80104) QTY 11 WAS 9, #73(80535) QTY 2 WAS 4, DEL.#81(86207) QTY 1 & #88(80004), ADD.#96.(80885) QTY 32, #97(81261) QTY 6 & #98(81208) QTY 4	PK	8/29/2011	JMV	9/2/2011
G	1340	ADD. ITEM 95 PN-86203 QTY.=1, CORRECTED BALLOONS	PK	5/24/2011	JMV	5/25/2011
F	0924	ITEM 33 PN-72590 WAS 71676, 35 PN-28652 WAS 82439, #47 PN-80102 WAS 80809, DEL. #48 PN-81192, #50 PN-81195 WAS 81203 QTY 14 WAS 8, #60 PN-80108 QTY 8 WAS 13, #71 PN-80104 QTY 9 WAS 4 & ADDED LOCTITE, CORRECT BALLOONS	PK	3/3/2011	JMV	3/4/2011
E	0799	#88 PN-80004 WAS 81196 & #90 PN-81196 WAS 80007	PK	12/30/2013	JMV	1/3/2013

**ENGINEERING APPROVED COPY
FOR MANUFACTURE**

NAME	DATE
LDL	2/11/10
RR	2/1/17
CLK	5/18/17

UNLESS OTHERWISE SPECIFIED:
DIMENSIONS ARE IN INCHES
TOLERANCES:
FRACTIONS ±1/16
DECIMALS ±.03
XXX ±.010
ANGLE ±1/2°

HOLE DIA:
.125 - .125 DIA. +.004 -.001
.126 - .250 DIA. +.005 -.001
.251 - .500 DIA. +.006 -.001
.501 - .750 DIA. +.008 -.001
.751 - 1.000 DIA. +.010 -.001

REMOVE ALL BURRS AND SHARP EDGES
INTERPRET DRAWING PER ANSI Y14.5M-1982
SURFACE ROUGHNESS PER MIL-STD-10
ALL MACHINED SURFACES NOT TO EXCEED AS MICROFINISH PER MIL-STD-10 UNLESS NOTED

SolidWorks

THIRD ANGLE PROJECTION

1206 HATTON ROAD, WICHITA FALLS, TX 76302

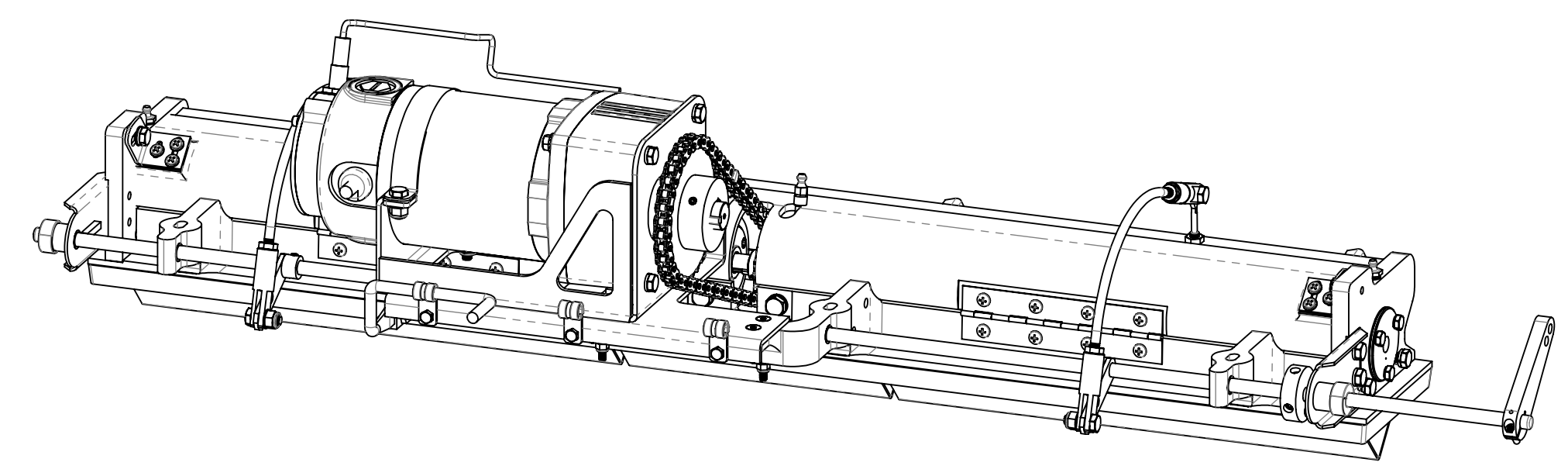
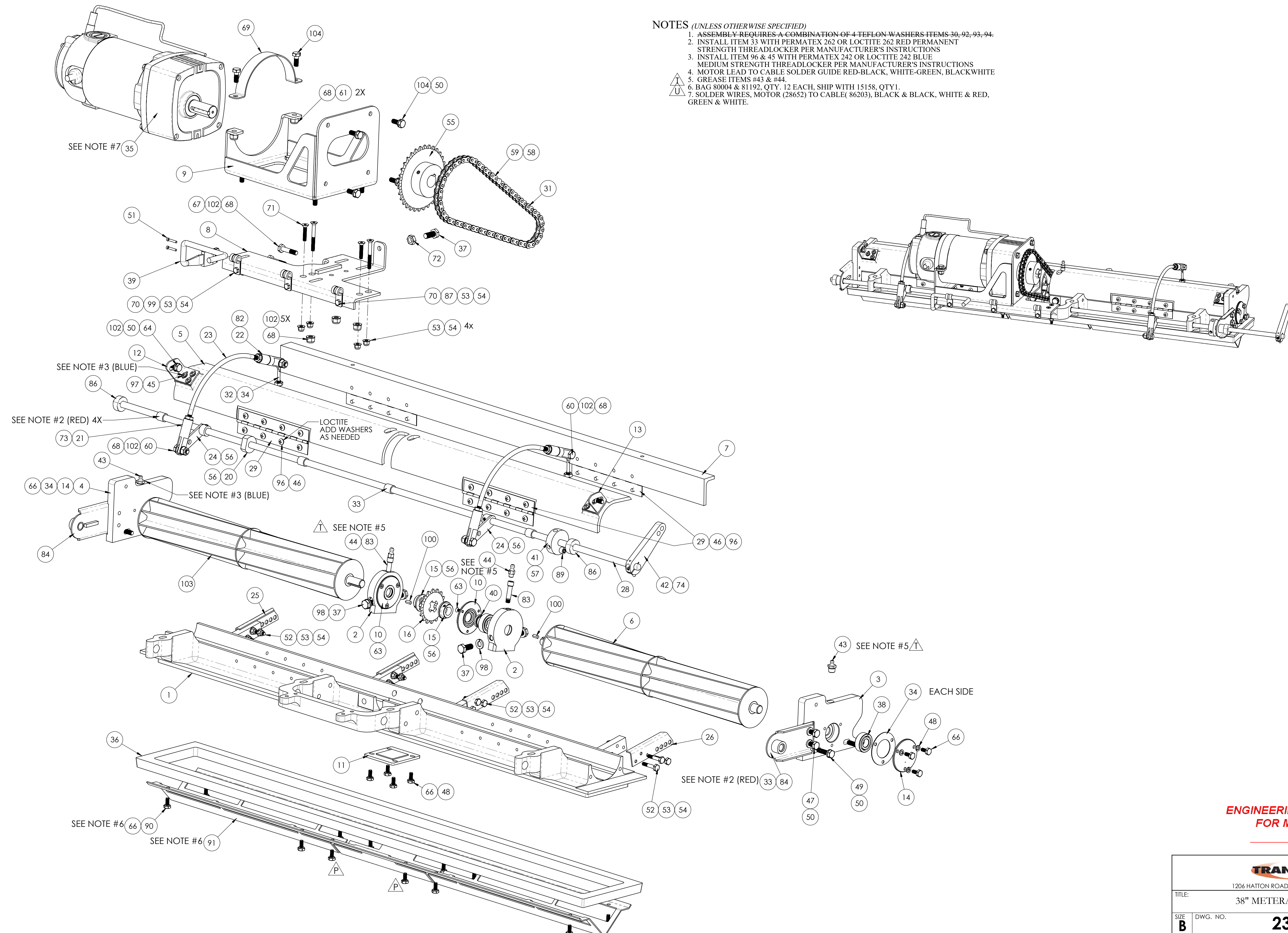
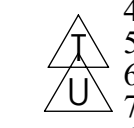
TITLE:
38" METERATE ASSEMBLY

SIZE **B** DWG. NO. **23718** REV **W**

SCALE: NTS MODEL: SHEET 1 OF 2

NOTES (UNLESS OTHERWISE SPECIFIED)

- 1. ASSEMBLY REQUIRES A COMBINATION OF 4 TEFLON WASHERS ITEMS 30, 92, 93, 94.
- 2. INSTALL ITEM 33 WITH PERMATEX 262 OR LOCTITE 262 RED PERMANENT STRENGTH THREADLOCKER PER MANUFACTURER'S INSTRUCTIONS
- 3. INSTALL ITEM 96 & 45 WITH PERMATEX 242 OR LOCTITE 242 BLUE MEDIUM STRENGTH THREADLOCKER PER MANUFACTURER'S INSTRUCTIONS
- 4. MOTOR LEAD TO CABLE SOLDER GUIDE RED-BLACK, WHITE-GREEN, BLACK-WHITE
- 5. GREASE ITEMS #43 & #44.
- 6. BAG 80004 & 81192, QTY. 12 EACH, SHIP WITH 15158, QTY.1.
- 7. SOLDER WIRES, MOTOR (28652) TO CABLE(86203), BLACK & BLACK, WHITE & RED, GREEN & WHITE.



ENGINEERING APPROVED COPY FOR MANUFACTURE

1206 HATTON ROAD, WICHITA FALLS, TX 76302			
TITLE: 38" METER RATE ASSEMBLY			
SIZE B	DWG. NO. 23718	REV W	
SCALE: NTS	MODEL:	SHEET 2 OF 2	

REV: W
DWG NO: 23718