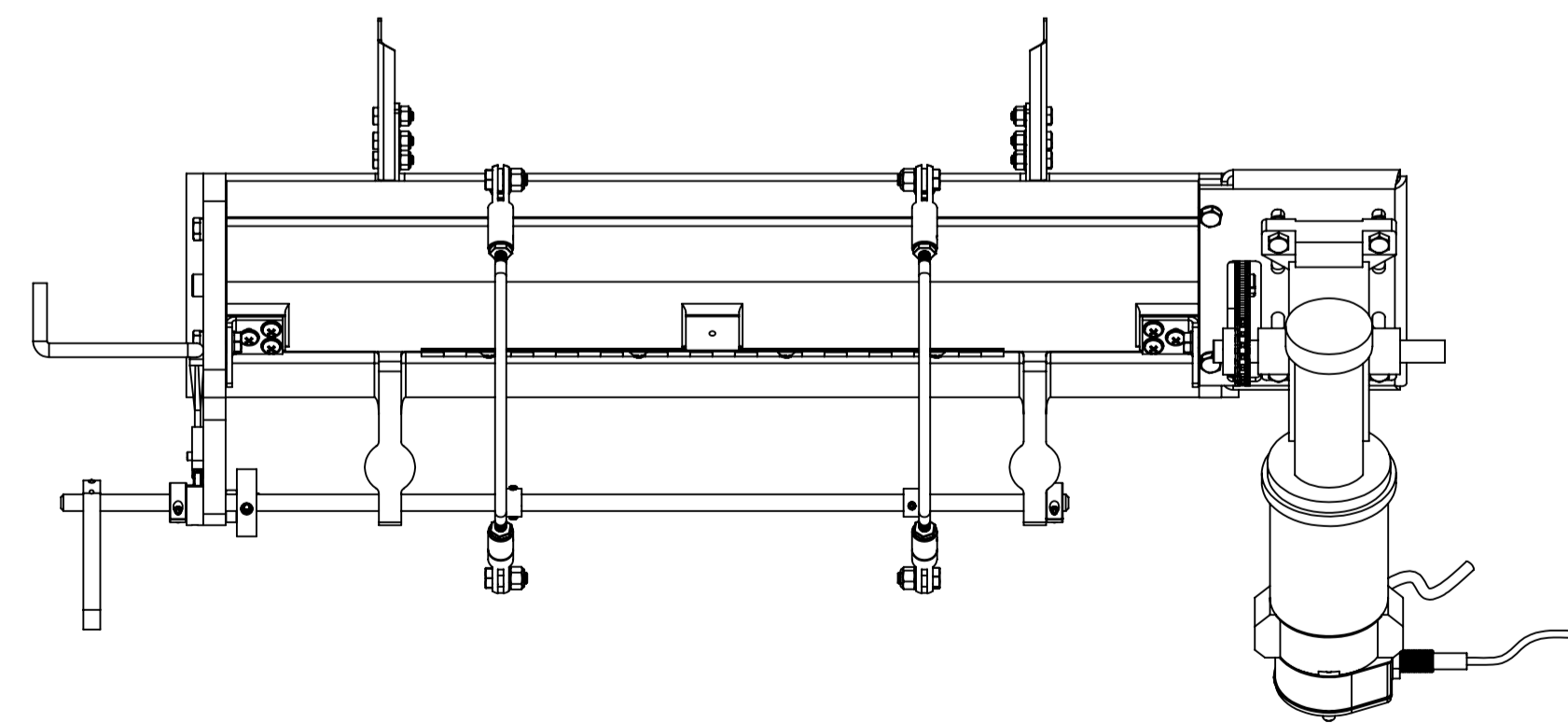
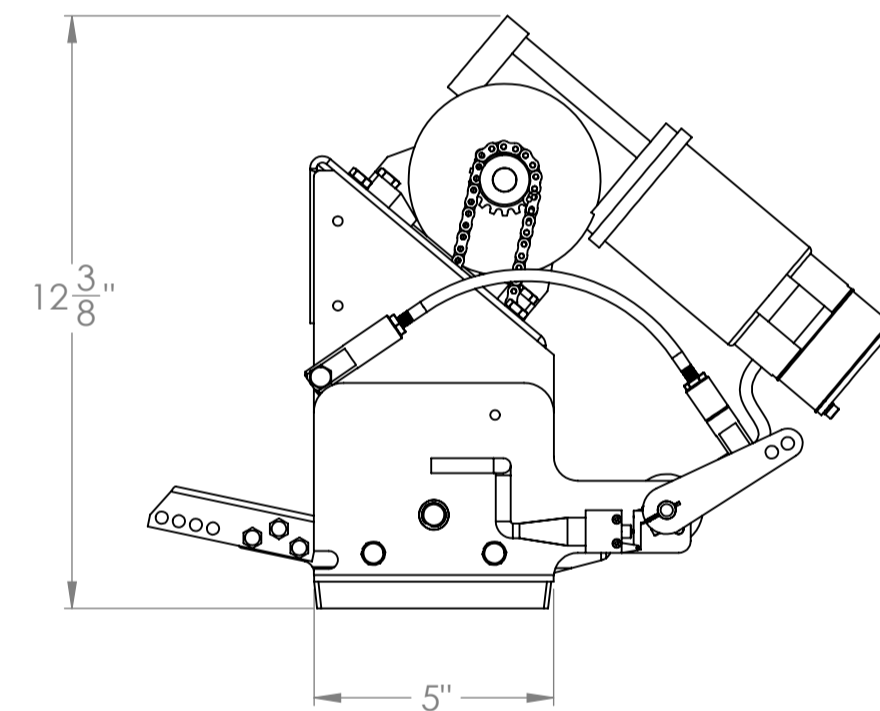
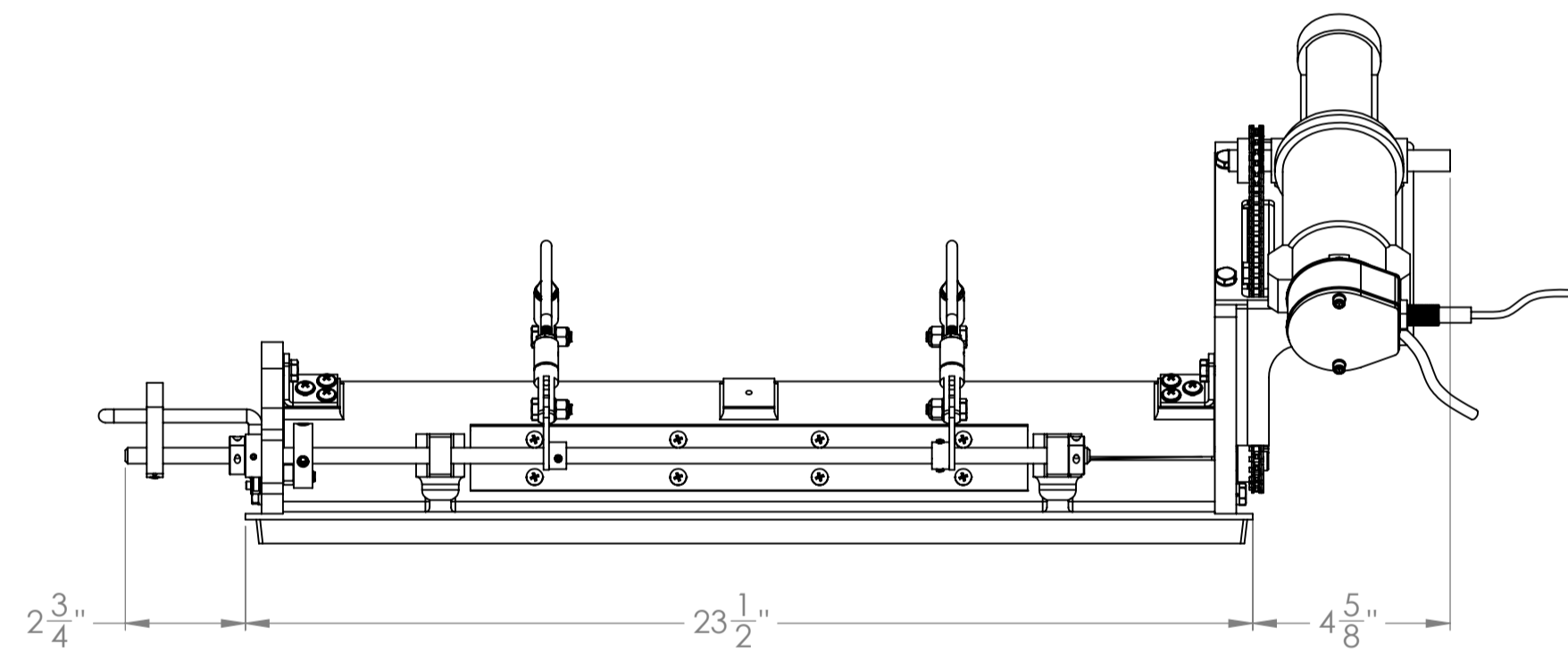
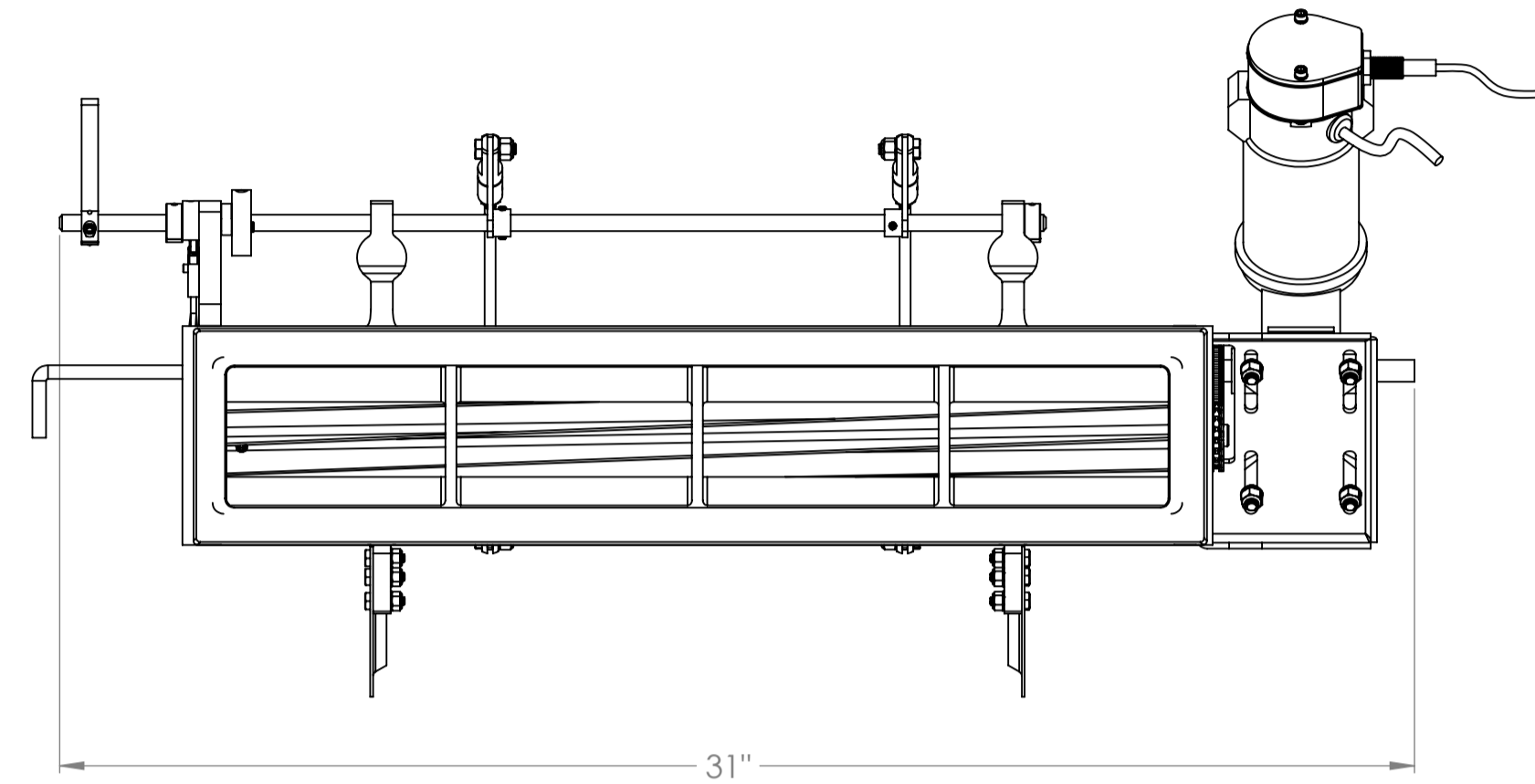


NOTES (UNLESS OTHERWISE SPECIFIED)

1. BOLT LENGTH: HARDWARE MAY BE SUBSTITUTED FOR LENGTH PER AC43.13-1B, CHAPTER 7, SECTION 3, PARAGRAPH 37 & SECTION 4, PARAGRAPH 64.
2. THREADLOCKER RED: PERMATEX 26250 OR LOCTITE 262 (PERMANENT STRENGTH); APPLY PER MANUFACTURER'S INSTRUCTIONS.
3. THREADLOCKER BLUE: PERMATEX 24250 OR LOCTITE 242 (MEDIUM STRENGTH); APPLY PER MANUFACTURER'S INSTRUCTIONS.
4. ANTI-SEIZE: PERMATEX 80078 OR LOCTITE 442-8029; APPLY PER MANUFACTURER'S INSTRUCTIONS.
5. ITEM NO. 16 MAY BE REPLACED FOR A THINNER/THICKER TEFLON WASHER.
6. REAM FOLLOWING PRESS FIT OF ITEM 5.
7. ITEM 26 INCLUDES SET SCREWS.
8. ITEM 26 MAY BE REPLACED BY SPROCKETS WITH ALT. NO. OF TEETH, PROVIDED THEY ARE OF SIMILAR DESIGN WITH 1/2" BORE AND SUIT NO. 25 CHAIN.
9. ITEM 27 MAY BE REPLACED BY P/N 60213.
10. ITEM NO. 51 TO BE CUT AT ASSEMBLY.



REV.	E.O.#	DESCRIPTION	BY	DATE	APPR'D	DATE
D	12181	UPDATED B.O.M. ; UPDATED NOTES ; NEW TITLE BLOCK	RC	12/12/2018	CLK	12/14/2018
C	10029	ITEM# 47 FROM 22773 TO 22775, ITEM# 50 FROM 86202 TO 86203. DELETE ITEM# 50.	LA	4/18/2017	CLK	4/18/2017
B	3921	UPDATED B.O.M. ADDED ITEM 54 THRU 62	PK	1/28/2013	JMV	1/28/2013
A	1291	REVISED & REDRAWN IN SOLIDWORKS	JMV	5/11/2011	JMV	5/11/2011
REVISIONS						

**ENGINEERING APPROVED COPY
FOR MANUFACTURE**

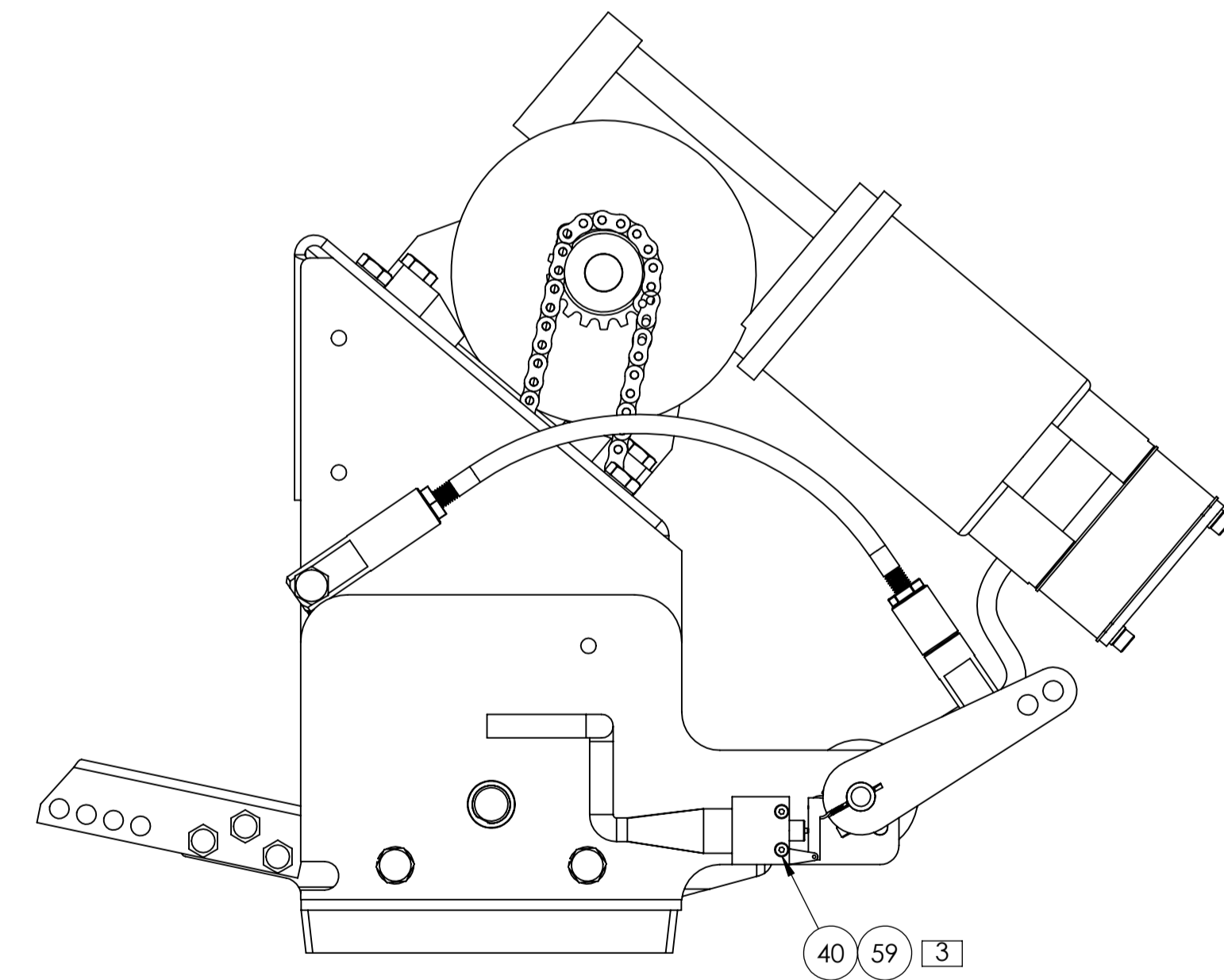
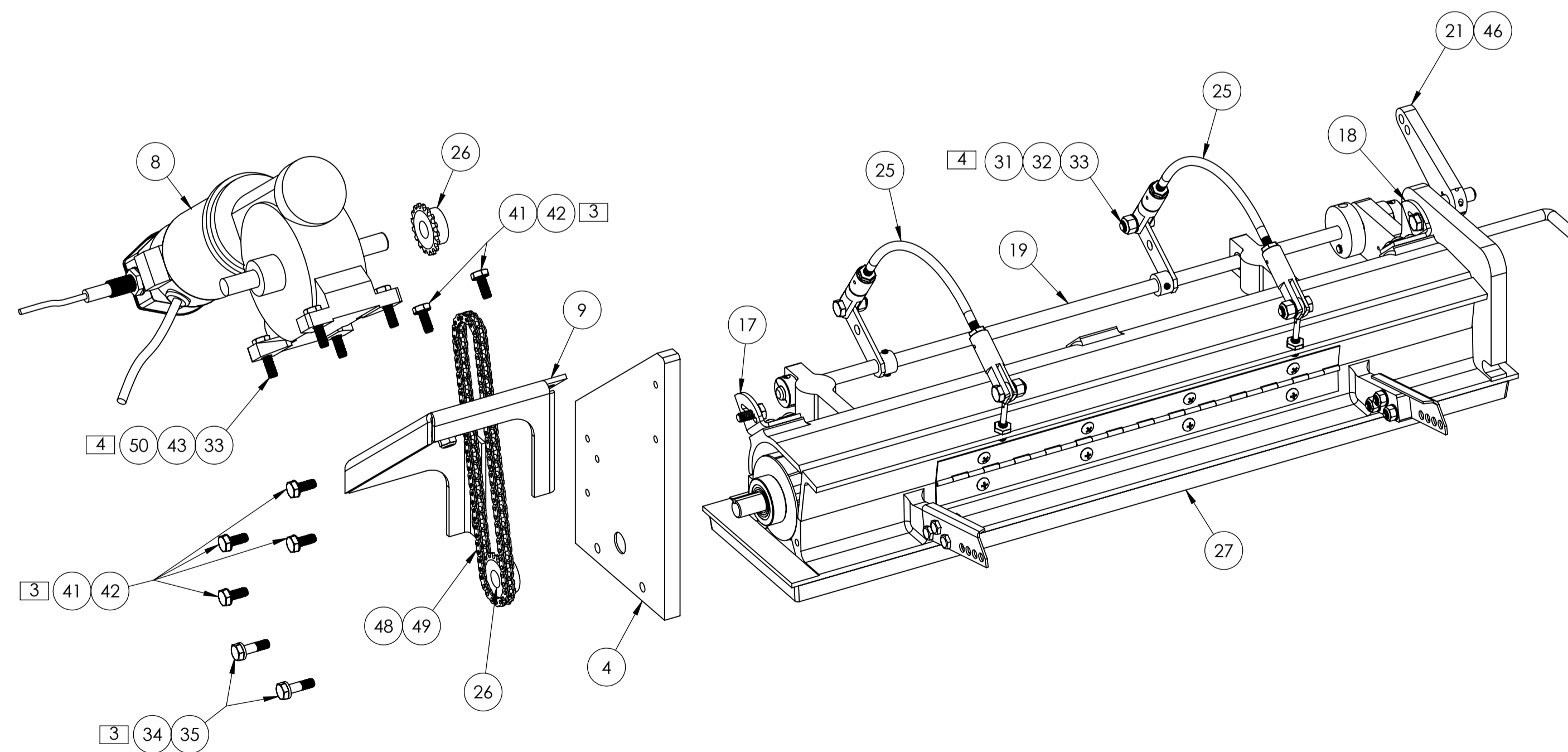
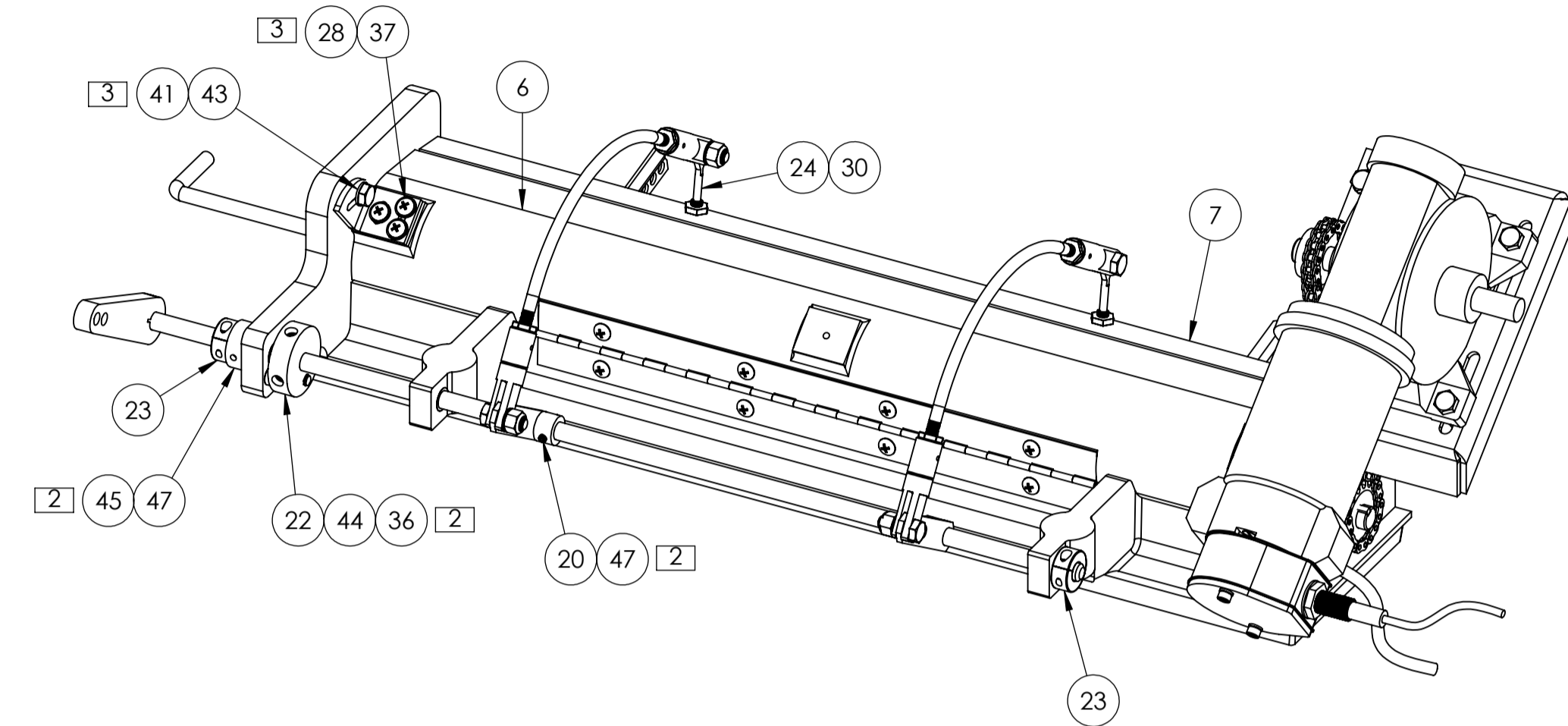
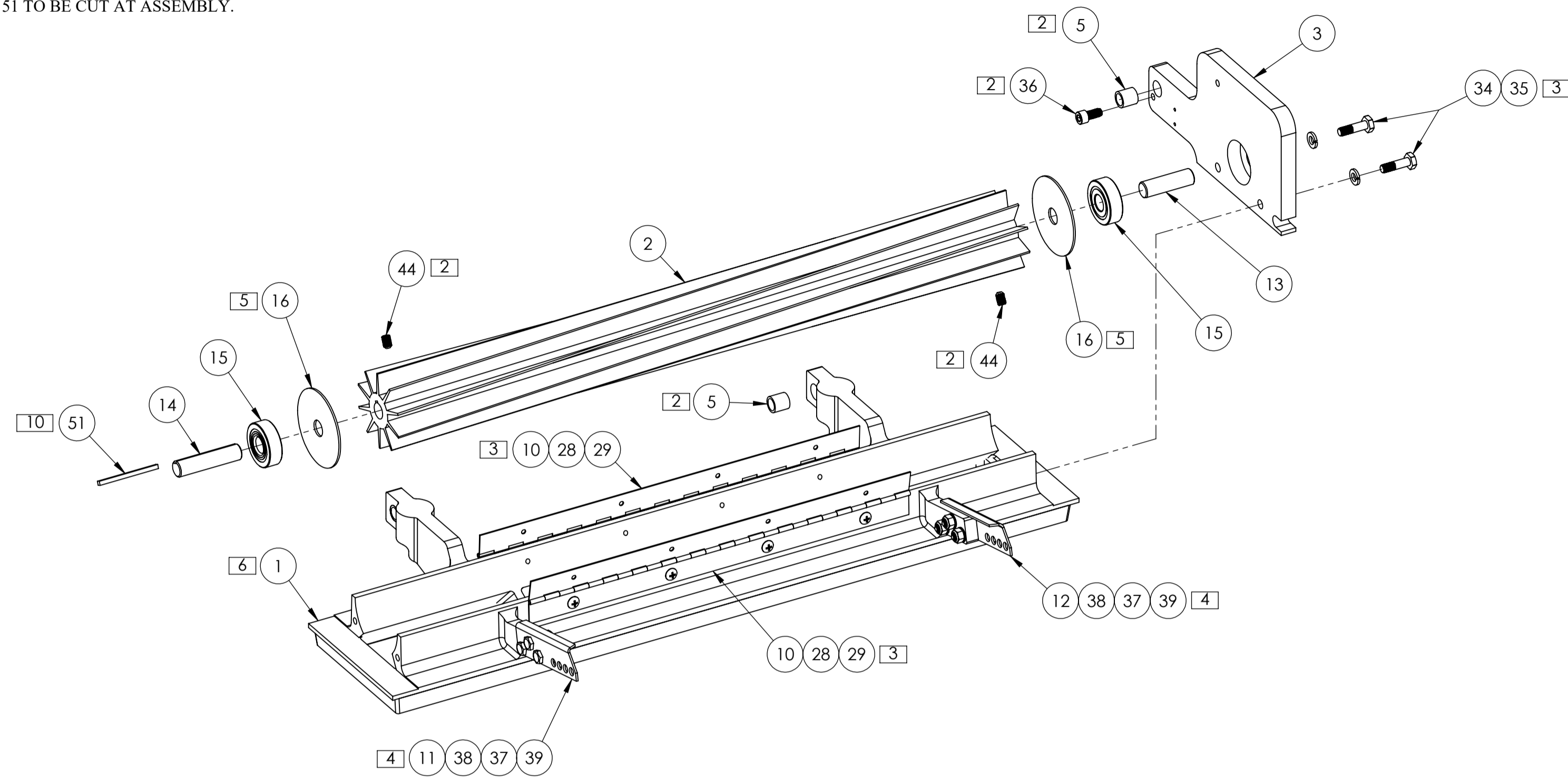
ITEM NO.	PART NO.	NO. REQD	DESCRIPTION	SIZE	SPEC.	NO. REQD	NEXT ASSEMBLY	FINAL ASSEMBLY
59	86208	1	CABLE DOOR SWITCH					
58	86207	1	CABLE, MOTOR SPEED SENSOR (NOT SHOWN)					
57	86206	1	CABLE, I.O. HARNESS ASSEMBLY 10' LG (NOT SHOWN)					
56	86204	1	CABLE, I.O. HARNESS ASSEMBLY STD (NOT SHOWN)					
55	86203	1	CABLE, MOTOR PIGTAIL (NOT SHOWN)					
54	86201	1	CABLE, MAIN PWR STD 17' LONG (NOT SHOWN)					
53	86200	1	CABLE, MAIN PWR STD 7' LONG (NOT SHOWN)					
52	22775	1	METERATE CONTROL BOX (NEW) 24V (NOT SHOWN)					
51	88782	AR	KEY STOCK					
50	80112	4	BOLT					
49	82397	1	CHAIN MASTER LINK					
48	82396	AR	NO. 25 CHAIN					
47	85630	5	SET SCREW					
46	80965	1	SOCKET HEAD CAP SCREW					
45	48657	1	DISC SWITCH					
44	85632	4	SET SCREW					
43	81230	6	WASHER					
42	81203	6	INTERNAL STAR WASHER					
41	85653	8	BOLT					
40	80931	2	SOCKET HEAD CAP SCREW					
39	80570	6	NUT					
38	80013	6	BOLT					
37	81212	12	WASHER					
36	81016	2	SOCKET HEAD CAP SCREW					
35	81195	4	LOCK WASHER					
34	80110	4	BOLT					
33	80559	8	NUT					
32	81227	4	WASHER					
31	80108	4	BOLT					
30	80535	2	JAM NUT					
29	81201	16	INTERNAL STAR WASHER					
28	80912	22	SCREW					
27	60210	1	DOOR SEAL					
26	86089	2	SPROCKET					
25	22221	2	LINKAGE ASSEMBLY					
24	48845	2	CLEVIS					
23	86083	2	LOCKING DISC					
22	42746	1	SHAFT STOP					
21	46132	1	CONTROL ARM					
20	20445	2	ARM					
19	42734	1	SHAFT					
18	42732	1	DOOR BRACKET - LH					
17	42731	1	DOOR BRACKET - RH					
16	42707	2	TEFLON WASHER					
15	71679	2	BEARING					
14	45158	1	SHAFT					
13	45157	1	SHAFT					
12	42750	1	EXTENSION ARM - LH					
11	42753	1	EXTENSION ARM - RH					
10	42763	2	HINGE					
9	15150	1	MOTOR MOUNTING BRACKET					
8	28653	1	MOTOR ASSEMBLY					
7	22231	1	DOOR					
6	42727	1	DOOR					
5	71590	3	BUSHING					
4	45150	1	END PLATE - MOTOR MOUNT					
3	42728	1	END PLATE					
2	42726	1	ROLLER - 25" METERATE					
1	42745	1	HOUSING - 25" METERATE					
			DESCRIPTION	SIZE	SPEC.	NO. REQD	NEXT ASSEMBLY	FINAL ASSEMBLY
			MATERIAL					

NAME	DATE	UNLESS OTHERWISE SPECIFIED: DIMENSIONS ARE IN INCHES
DRAWN: JMV	5/11/11	TOLERANCES:
CHECKED: RR	4/19/17	FRACTIONS ±1/16
ENG APPR: CLK	4/18/17	XXX ±.03
		XXX ±.010
		ANGLE ±1/2°
		HOLE DIA:
		.0135 - .125 DIA. +.004 - .001
		.1260 - .250 DIA. +.005 - .001
		.2510 - .500 DIA. +.006 - .001
		.5010 - .750 DIA. +.008 - .001
		.7510 - 1.000 DIA. +.010 - .001
REMOVE ALL BURRS AND SHARP EDGES		
INTERPRET DRAWING PER ANSI Y14.5M-1992		
SURFACE ROUGHNESS PER MIL-STD-10		
ALL MACHINED SURFACES NOT TO EXCEED 63 MICRONS PER MIL-STD-10 UNLESS NOTED		
 THIRD ANGLE PROJECTION		
SolidWorks		

TRANSLAND	
1206 HATTON ROAD, WICHITA FALLS, TX 76302	
TITLE: 25" METERATE 24V ASSEMBLY	
SIZE: D	DWG. NO. 22722
SCALE: NTS	MODEL:
	REV D
SHEET 1 OF 2	

NOTES (UNLESS OTHERWISE SPECIFIED)

1. BOLT LENGTH: HARDWARE MAY BE SUBSTITUTED FOR LENGTH PER AC43.13-1B, CHAPTER 7, SECTION 3, PARAGRAPH 37 & SECTION 4, PARAGRAPH 64.
2. THREADLOCKER RED: PERMATEX 26250 OR LOCTITE 262 (PERMANENT STRENGTH); APPLY PER MANUFACTURER'S INSTRUCTIONS.
3. THREADLOCKER BLUE: PERMATEX 24250 OR LOCTITE 242 (MEDIUM STRENGTH); APPLY PER MANUFACTURER'S INSTRUCTIONS.
4. ANTI-SEIZE: PERMATEX 80078 OR LOCTITE 442-8029; APPLY PER MANUFACTURER'S INSTRUCTIONS.
5. ITEM NO. 16 MAY BE REPLACED FOR A THINNER/THICKER TEFLON WASHER.
6. REAM FOLLOWING PRESS FIT OF ITEM 5.
7. ITEM 26 INCLUDES SET SCREWS.
8. ITEM 26 MAY BE REPLACED BY SPROCKETS WITH ALT. NO. OF TEETH, PROVIDED THEY ARE OF SIMILAR DESIGN WITH 1/2" BORE AND SUIT NO. 25 CHAIN.
9. ITEM 27 MAY BE REPLACED BY P/N 60213.
10. ITEM NO. 51 TO BE CUT AT ASSEMBLY.



**ENGINEERING APPROVED COPY
FOR MANUFACTURE**

TRANSLAND			
1206 HATTON ROAD, WICHITA FALLS, TX 76302			
TITLE: 25" METERATE 24V ASSEMBLY			
SIZE D	DWG. NO. 22722	REV D	
SCALE: NTS	MODEL:	SHEET 2 OF 2	