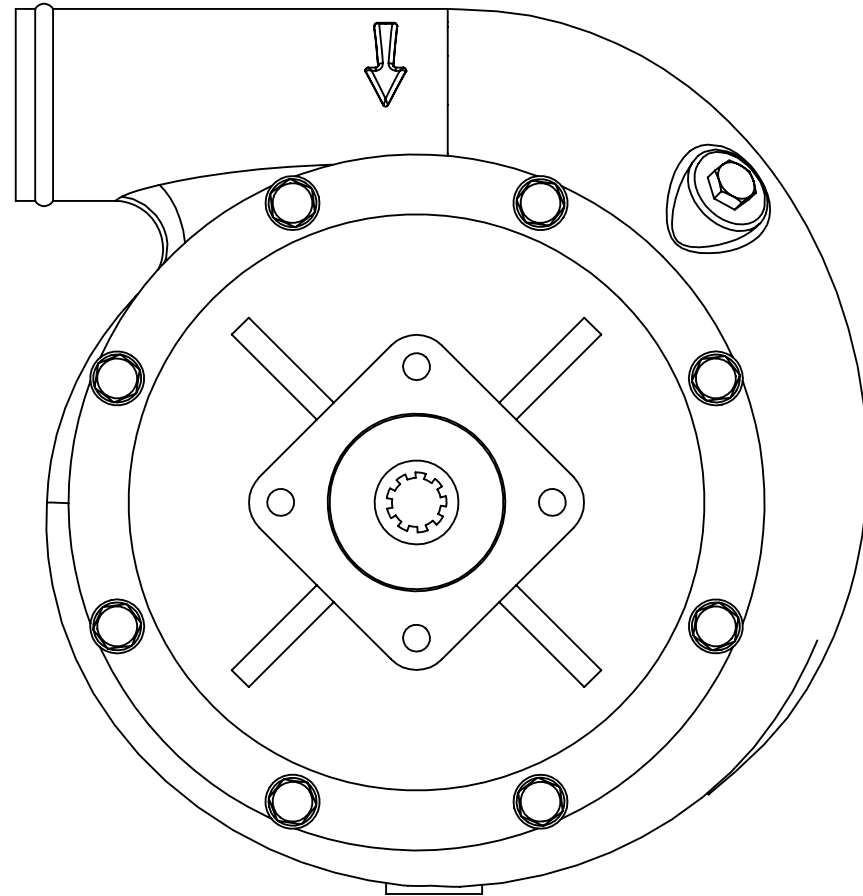


NOTES (UNLESS OTHERWISE SPECIFIED)

1.



17	80590	1	COTTER PIN							
15	10856	1	WASHER							
14	10630	1	KEY							
13	85653	8	SCREW, CAP							
12	81227	8	WASHER							
11	85691	8	STAT-O-SEAL							
10	81175	1	PLUG							
9	44006	1	SHAFT							
8	40249	1	SPACER							
7	71553	2	BEARING							
6	40655	1	BEARING CASE							
5	85690	1	SEAL							
4	40189	1	SPACER							
3	40887	1	IMPELLER							
2	60063	1	GASKET							
1	40889	1	HOUSING, VOLUTE							
	-1									

△ C
△ C

ITEM NO.	PART NO.	NO. REQD	DESCRIPTION	SIZE	SPEC.	NO. REQD	NEXT ASSEMBLY	FINAL ASSEMBLY
----------	----------	----------	-------------	------	-------	----------	---------------	----------------

REV.	EO#	DESCRIPTION	BY	DATE	APPR'D	DATE
C	11240	81175 WAS 81194; 10632 WAS 10633; MODELED AND REDRAWN IN SOLIDWORKS	LA	12/21/17	CK	12/21/17
B	09551	NOTE - 4; DELETED "INLET ORIFICE DIA AND"				
A	08843	INITIAL RELEASE				

NAME	DATE
DRAWN LA	12/21/17
CHECKED RR	12/21/17
ENG APPR. CK	12/21/17

UNLESS OTHERWISE SPECIFIED:
DIMENSIONS ARE IN INCHES
TOLERANCES:
FRACTIONS ±1/16
.XX ±.03
.XXX ±.010
ANGLE ± 1/2°

HOLE DIA:
.0135 - .125 DIA. +.004 -.001
.1260 - .250 DIA. +.005 -.001
.2510 - .500 DIA. +.006 -.001
.5010 - .750 DIA. +.008 -.001
.7510 - 1.000 DIA. +.010 -.001

REMOVE ALL BURRS AND SHARP EDGES
INTERPRET DRAWING PER ANSI Y14.5M-1982
SURFACE ROUGHNESS PER MIL-STD-10
ALL MACHINED SURFACES NOT TO EXCEED 63 MICROINCHES PER MIL-STD-10 UNLESS NOTED

SolidWorks

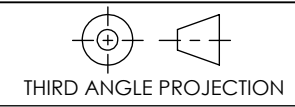


1206 HATTON ROAD, WICHITA FALLS, TX 76302

TITLE: **PUMP ASSY - INTERNAL SPLINE DRIVE**

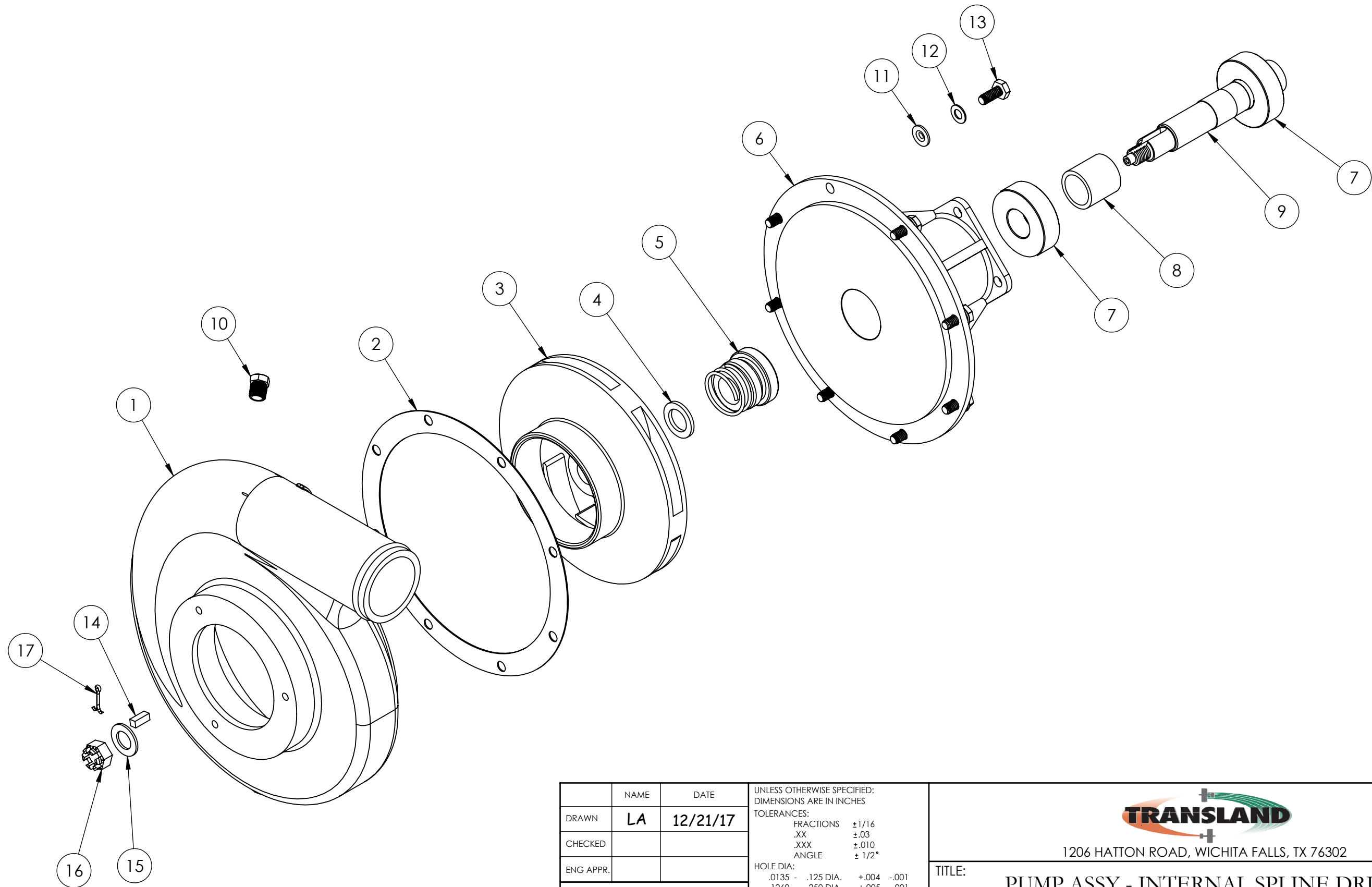
SIZE **B** DWG. NO. **21867** REV **C**


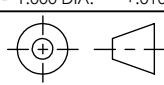
SCALE: NTS MODEL: SHEET 1 OF 2



NOTES (UNLESS OTHERWISE SPECIFIED)

1.



DRAWN		NAME	DATE	UNLESS OTHERWISE SPECIFIED: DIMENSIONS ARE IN INCHES TOLERANCES: FRACTIONS ±1/16 .XX ±.03 .XXX ±.010 ANGLE ± 1/2° HOLE DIA: .0135 - .125 DIA. +.004 -.001 .1260 - .250 DIA. +.005 -.001 .2510 - .500 DIA. +.006 -.001 .5010 - .750 DIA. +.008 -.001 .7510 - 1.000 DIA. +.010 -.001	 1206 HATTON ROAD, WICHITA FALLS, TX 76302		
CHECKED							
ENG APPR.					TITLE: PUMP ASSY - INTERNAL SPLINE DRIVE		
REMOVE ALL BURRS AND SHARP EDGES INTERPRET DRAWING PER ANSI Y14.5M-1982 SURFACE ROUGHNESS PER MIL-STD-10 ALL MACHINED SURFACES NOT TO EXCEED 63 MICROINCHES PER MIL-STD-10 UNLESS NOTED		SolidWorks			SIZE B	DWG. NO. 21867	REV C
				 THIRD ANGLE PROJECTION	SCALE: NTS	MODEL:	SHEET 2 OF 2