

# STRAINERS

The efficiency of the entire spray system depends upon the strainer. Transland quality gives its strainers excellent filtration. The over-center latches give the operator exactly what he needs . . . east access to screens for inspection, cleaning and replacement.

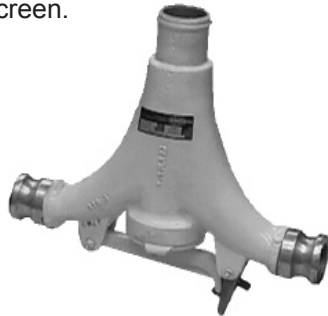
The latch design also eliminates accidental opening even if force is applied. Transland offers several types and sizes of strainers and replacement screens. See page 6-3 for replacement parts (screens, caps and o-rings) for old and new style Transland strainers and for Agrinautics strainers.

## ■ Y-Strainers

**2"**

### 20841 Y-Strainer

Replaces 20354 strainer.  
2" hose inlet and 1½" Q.D.outlet connections.  
Comes with a 40-mesh screen.  
10" long x 13.38" wide.  
Weight: 4 lbs



### 59041 Y-Strainer

### 20847 Y-Strainer

Replaces 20346 strainer.  
1½" hose inlet and outlet connections.  
Comes with a 40-mesh screen.  
7.92" long x 13" wide.  
Weight: 4 lbs

### 50847 Y-Strainer

## Piper

### 20849 Y-Strainer

Replaces 20350 and 20159 strainers.  
2" hose inlet and 1½" hose outlet connections. Comes with a 40-mesh screen.  
Weight: 4 lbs



### 50849 Y-Strainer

### 20856 Y-Strainer

2" hose inlet and outlet connections.  
Comes with a 40-mesh screen.  
Weight: 7 lbs

### 50856 Y-Strainer

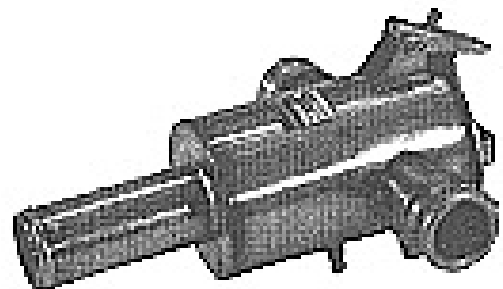
## Weatherly

### 50844 Y-Strainer

2" hose inlet and 1½" NPT male pipe thread outlet connections.

### 59045 Y-Strainer

2" hose inlet and 1½" male Q.D. outlet connections.



See chart on page 5-3 for screen meshes

## ■ Line Strainers

**1½"**

### 56518 Line Strainer

Stainless steel.

**2"**

### 20357 Aluminum Line Strainer

Available with either 2" NPT or 2" male Q.D. for inlet and outlet connections. Specify when ordering. Comes with two DeStaCo clamps and a 40 mesh screen.

Weight: 7 lbs

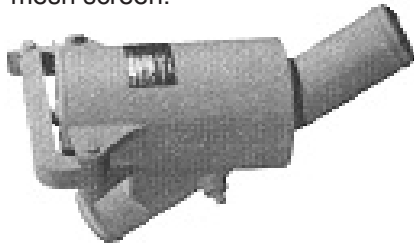


### 50357 Line Strainer

### 59018 Line Strainer

Replaces 20353. 2" hose inlet and outlet connections. Comes with a 40-mesh screen.

Weight: 4 lbs



### 50618 Line Strainer

**2½"**

### 59020 Stainless Steel Line Strainer

2½" hose inlet and outlet connections. Comes with a 40-mesh screen.

Weight: 5 lbs

**3"**

### 59036 Stainless Steel Line Strainer

3" hose inlet and outlet connections. Comes with a 40-mesh screen.

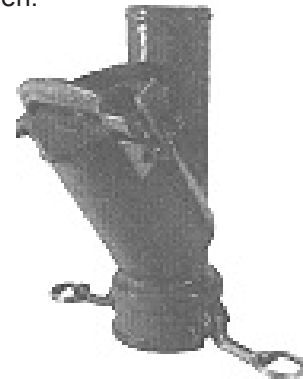
Weight: 5 lbs



### 22466 Aluminum Line Strainer

3" female Q.D. inlet and 3" hose outlet connections. Comes with a 5-mesh screen.

Weight: 5 lbs



See chart on page 5-3 for screen meshes



**■ Strainer Replacement Parts**

**For Transland Stainless Steel Center Booms with Strainers**

Strainer	O-Ring	Cap	20 Mesh	30 Mesh	40 Mesh	50 Mesh	100 Mesh
53642	81624	23401	21517	21520	21523	20083	20082
54646	81624	23401	21517	21520	21523	20083	20082
56512	81624	23401	21517	21520	21523	20083	20082
56526	81624	23401	21517	21520	21523	20083	20082
56529	81624	23401	21517	21520	21523	20083	20082
56530	81624	23401	21517	21520	21523	20083	20082
56558	81624	23401	21517	21520	21523	20083	20082
56559	81624	23401	21517	21520	21523	20083	20082
56560	81624	23401	21517	21520	21523	20083	20082
56568	81624	23401	21517	21520	21523	20083	20082
56590	81624	23401	21517	21520	21523	20083	20082
56591	81624	23401	21517	21520	21523	20083	20082
56592	81624	23401	21517	21520	21523	20083	20082

**For Transland Stainless Steel Strainers**

Strainer	O-Ring	Cap	20 Mesh	30 Mesh	40 Mesh	50 Mesh	100 Mesh
50618	81624	23401	21517	21520	21523	20083	20082
50620	81624	23401	21517	21520	21523	20083	20082
50636	81624	23401	21517	21520	21523	20083	20082
50841	81620	23421	21518	21521	21524	-----	21557
50844	81624	23401	21517	21520	21523	20083	20082
50845	81624	23401	21517	21520	21523	20083	20082
56518	81624	23401	21517	21520	21523	20083	20082

**For New Style Transland Strainers**

Strainer	O-Ring	Cap	20 Mesh	30 Mesh	40 Mesh	50 Mesh	100 Mesh
20357	81626	42143	21517	21520	21523	20083	20082
20618	81624	42262	21517	21520	21523	20083	20082
20841	81620	42261	21518	21521	21524	-----	21557
20847	81620	42261	21519	21522	21525	-----	-----
20849	81620	42261	21518	21521	21524	-----	21557
20856	81624	42262	21517	21520	21523	20083	20082
22466	81624	42262	21517	21520	21523	20083	20082

**For Old Style Transland Strainers**

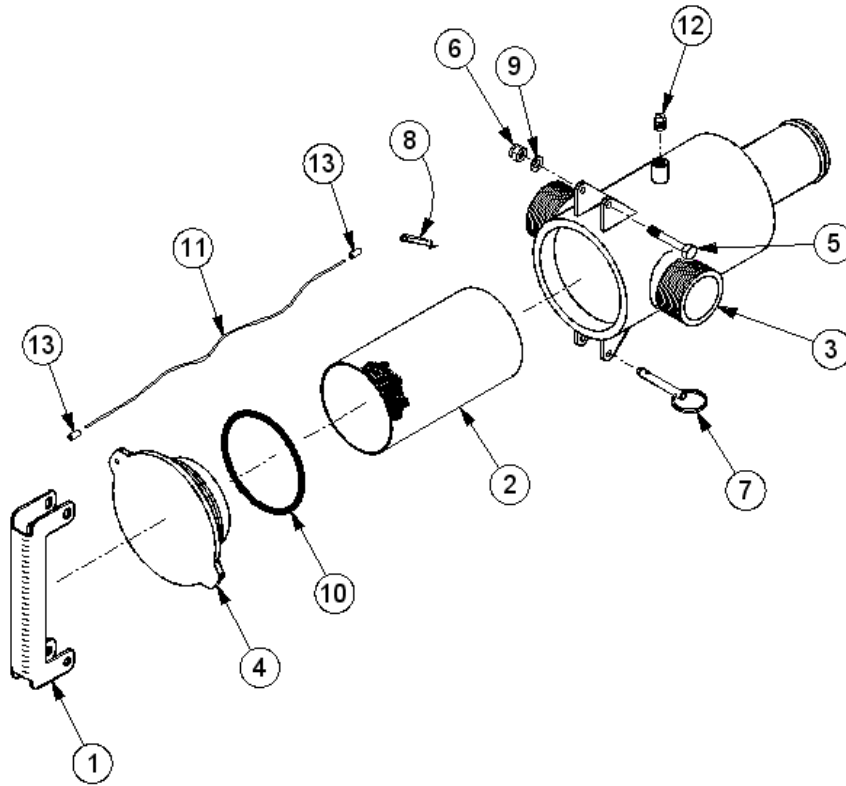
Strainer	O-Ring	Cap	20 Mesh	30 Mesh	40 Mesh	50 Mesh	100 Mesh
20346	81620	44260	21519	-----	21525	-----	-----
20350	81620	44260	21518	21521	21524	-----	21557
20351	81626	42143	21517	21520	21523	20083	20082
20352	81626	42143	21517	21520	21523	20083	20082
20353	81626	42143	21517	21520	21523	20083	20082
20354	81620	42260	21518	21521	21524	-----	21557
20357	81626	42143	21517	21520	21523	20083	20082

**For Agrinautics Strainers**

Strainer	20 Mesh	30 Mesh	40 Mesh
4102 series	-----	21536	21534
4153 series	-----	22791	22792
4163 series	-----	21532	21531
4173 series	22793	22794	22795

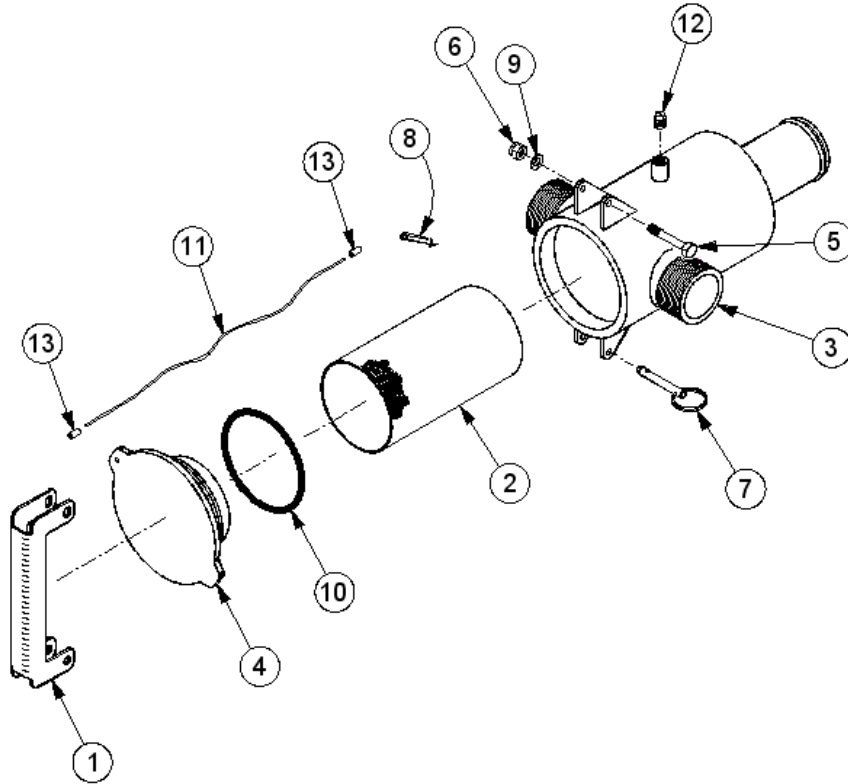


## Parts Breakdown for 59041 Stainless Steel Y-Strainer



ITEM	PART NO.	DESCRIPTION	QTY	ITEM	PART NO.	DESCRIPTION	QTY
1	15970	Arm	1	8	80696	Cowling Pin	1
2	21523	Screen Assy	1	9	81227	Washer	1
3	24405	Body Assy	1	10	81624	O-Ring	1
4	55401	Cap	1	11	85100	Safety Cable	12"
5	80123	Bolt	1	12	85554	Plug	1
6	80560	Nut	1	13	85710	Sleeve	2
7	80656	Pin, Quick Disconnect	1				

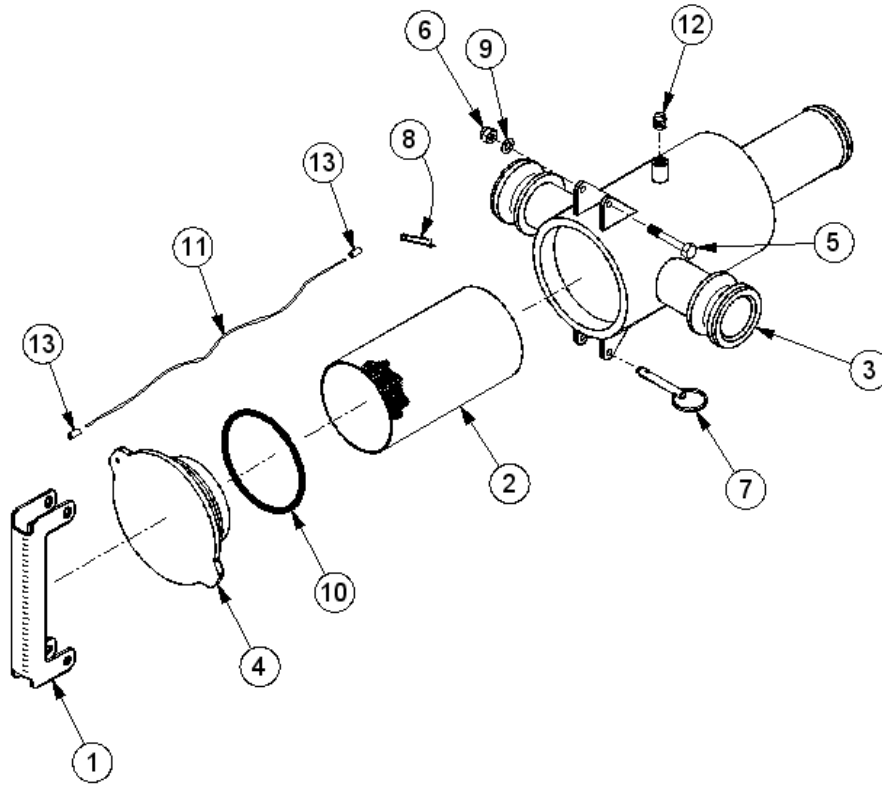
## Parts Breakdown for 50844 Stainless Steel Y-Strainer



ITEM	PART NO.	DESCRIPTION	QTY	ITEM	PART NO.	DESCRIPTION	QTY
1	15970	Arm	1	8	80696	Cowling Pin	1
2	21523	Screen Assy	1	9	81227	Washer	1
3	24422	Body Assy	1	10	81624	O-Ring	1
4	55401	Cap	1	11	85100	Safety Cable	12"
5	80123	Bolt	1	12	85554	Plug	1
6	80560	Nut	1	13	85710	Sleeve	2
7	80656	Pin, Quick Disconnect	1				



## Parts Breakdown for 59045 Stainless Steel Y-Strainer



ITEM	PART NO.	DESCRIPTION	QTY	ITEM	PART NO.	DESCRIPTION	QTY
1	15970	Arm	1	8	80696	Cowling Pin	1
2	21523	Screen Assy	1	9	81227	Washer	1
3	24423	Body Assy	1	10	81624	O-Ring	1
4	55401	Cap	1	11	85100	Safety Cable	12"
5	80123	Bolt	1	12	85554	Plug	1
6	80560	Nut	1	13	85710	Sleeve	2
7	80656	Pin, Quick Disconnect	1				